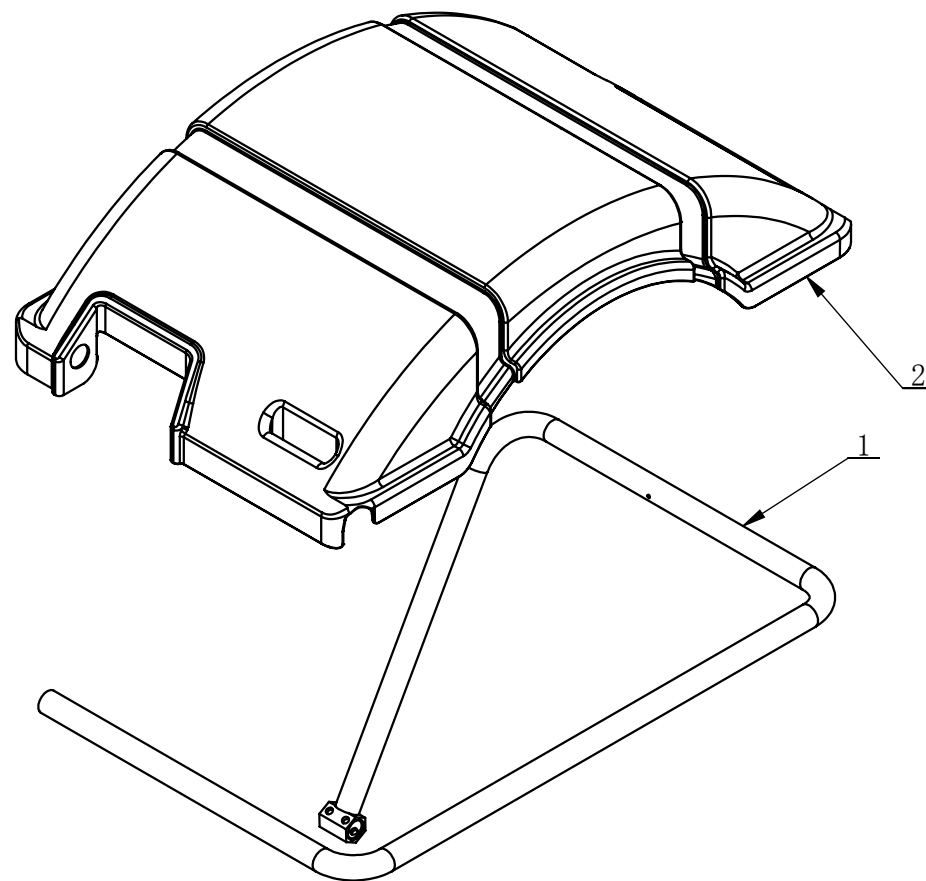




REVISION 13A-01

ITEM	PART.No	DESCRIPTION.	QT.Y
1	B-73-1210002	RASTER	1
2	B-73-1210003	ENCODER BOARD BRACKET	1
3	B-73-1211000	FIXING SHAFT WELDING	1
4	B-73-1214000	BALANCE SHAFT PART	1
5	B-73-1215000	BALANCER SPINDLE	1
6	TB-P-0300009	CLAMP RING	1
7	GB276-6005	DEEP GROOVE BALL BEARINGS	1
8	GB276-6006	DEEP GROOVE BALL BEARINGS	1
9	GB894.2-25	SHAFT ELATIC RETAINING RING B-TYPE	1
10	GB894.2-30	SHAFT ELATIC RETAINING RING B-TYPE	1
11	GB893.1-55	ELASTIC RETAINING RING A-TYPE	1
12	TB-P-0300008	SPRING PRESS COVER	1
13	GB95-4	FLAT WASHER	6
14	TB-P-0100009	SPRING	1
15	GB818-M4×10-H	CROSS PANHEAD SCREW	6
16	GB95-3	FLAT WASHER	2
17	GB93-3	STANDARD SPRING WASHER	2
18	GB818-M3×8-H	CROSS PANHEAD SCREW	2
19	GB93-4	STANDARD SPRING WASHER	6
20	B-73-1210001	ENCODER BOARD	1
21	TB-P-0300031	40CONE 42-65	1
22	TB-P-0300032	40CONE 54-78	1
23	TB-P-0300033	40CONE 74-108	1
24	TB-P-0300034	40CONE 89-140	1



ITEM	PART. No	DESCRIPTION.	QT. Y
1	B-73-1521000	PROTECTIVE COVER BEND PIPE	1
2	TB-F-0100003	NEW STYLE HOOD	1

