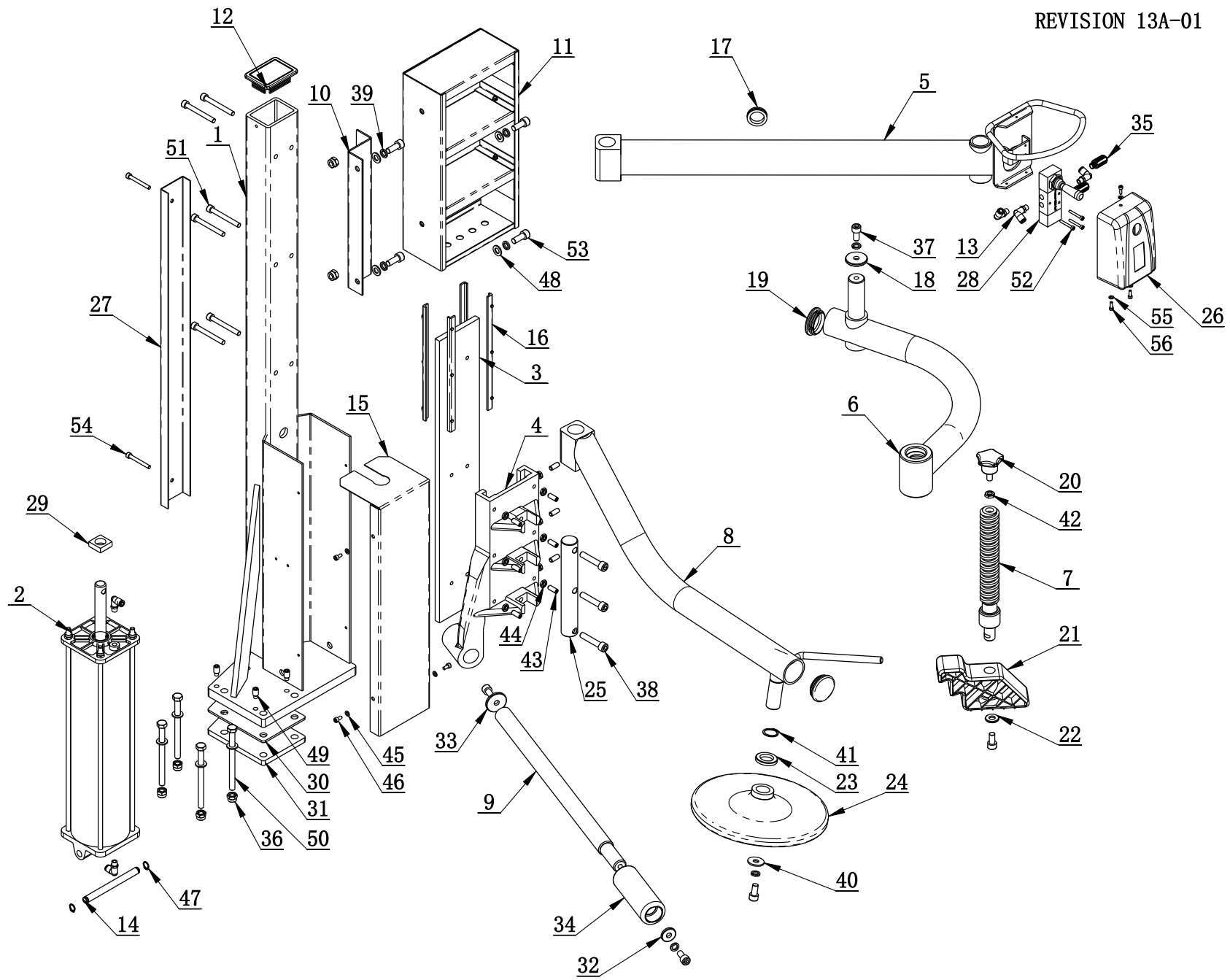


ITEM	PART. No	DESCRIPTION.	QT. Y
1	C-66-1000000	USER MANUAL	1
2	H-20-1000000	LC320A. 00. 00	1

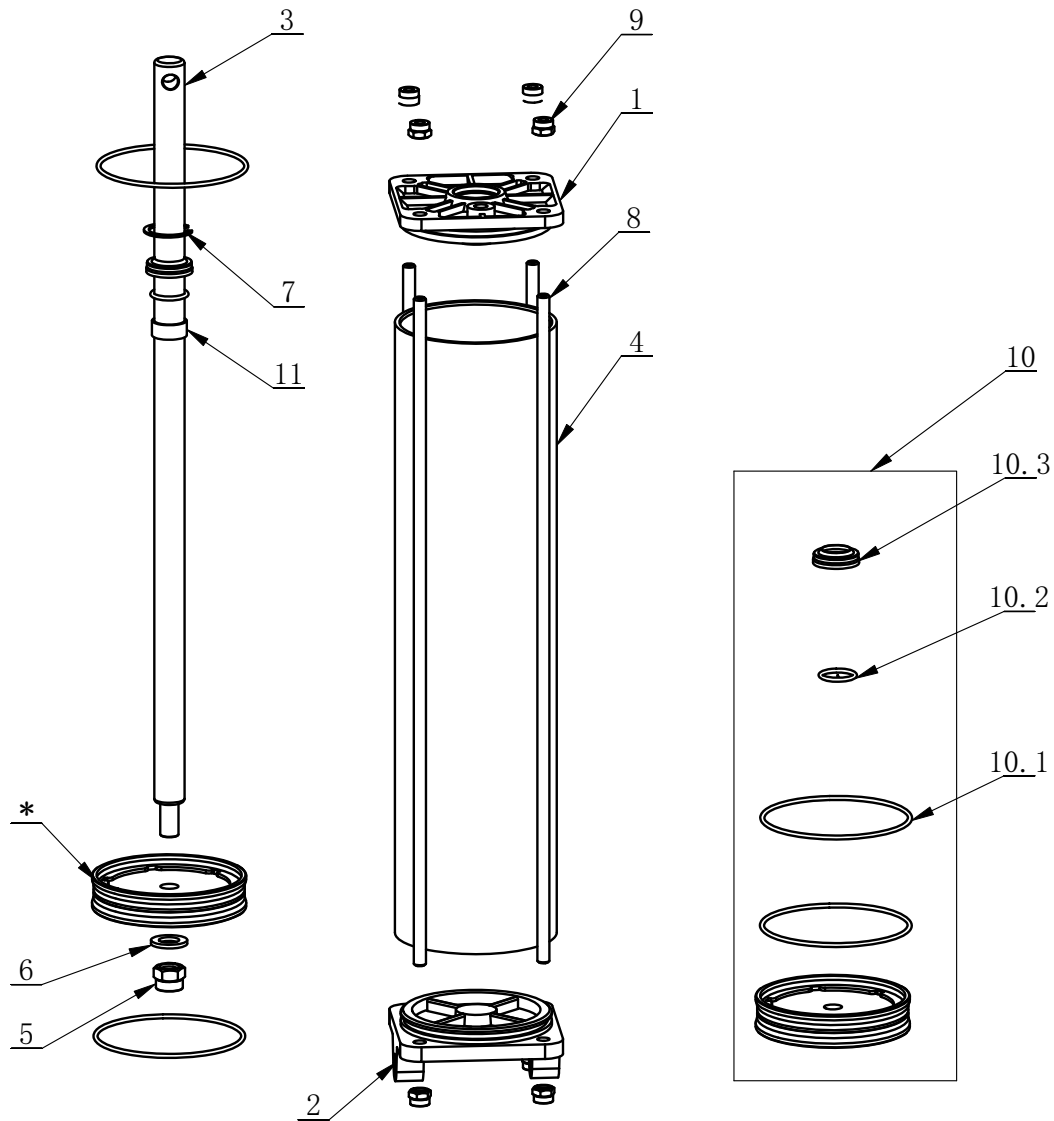
REVISION 13A-01



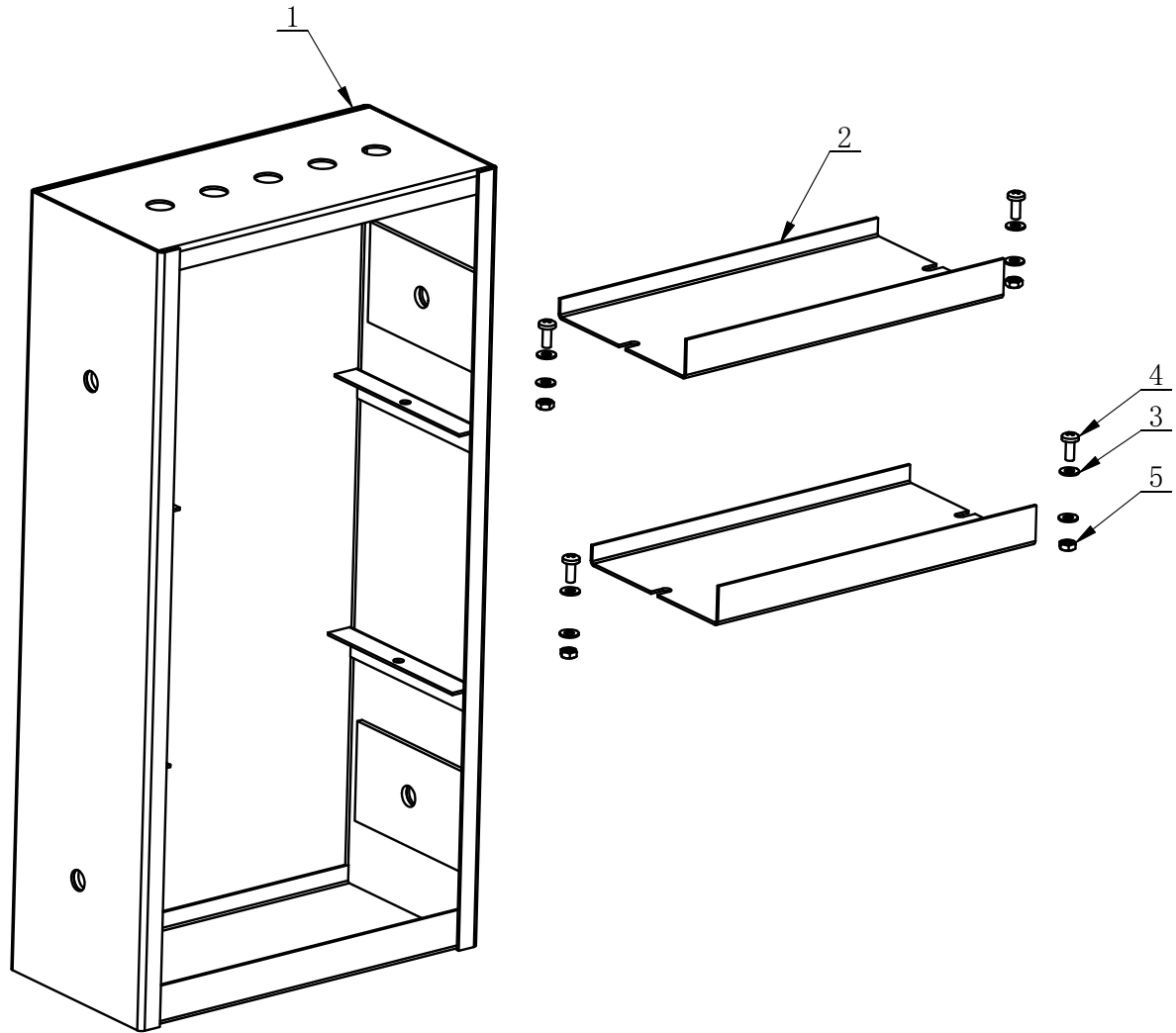
H-20-1000000

ITEM	PART. No	DESCRIPTION.	QT. Y
1	H-30-1300000	MAIN BODY BRACKET	1
2	H-10-1500000	LIFTING CYLINDER ASSEMBLY	1
3	H-10-1000004	GUIDE RAIL	1
4	H-30-1000001	MOBILE CARRIAGE	1
5	H-20-1100000	SUPPORT ARM	1
6	H-20-1200000	ROTATION ARM	1
7	H-20-1000001	PRESSURE SCREW	1
8	H-30-1200000	BEAD LIFTING ARM	1
9	H-30-1000005	MOVABLE SHAFT	1
10	H-10-1000015	FIXTURE PLATE	1
11	H-10-1900000	TOOL BOX ASSY	1
12	H-10-1000003	PROTECTIVE COVER	1
13	FPL 6-01	MALE ELBOW	5
14	H-10-1000018	SUPPORTING SHAFT	1
15	H-10-1000012	CYLINDER COVER PLATE	1
16	H-10-1000016	GUIDEWAY	4
17	H-12-0000002	PROTECTION RING	1
18	H-10-1000005	WASHER	1
19	H-10-1000008	ROUND COVER	2
20	JB3717. 22-85 M10-20	THE STAR HANDLE M10-20	1
21	H-10-1000006	PRESS BLOCK	1
22	H-10-1000007	PRESS WASHER	1
23	H-10-1000017	WASHER	1
24	H-10-1000011	TURNTABLE	1
25	H-10-1000002	SHAFT CONNECTOR	1
26	H-10-1000020	HANDLE VALVE COVER	1
27	H-10-1000013	U-STEEL	1
28	4H230-06A	CONTROL VALVE	1
29	H-12-1000001	FELT WASHER	1
30	H-30-1000008	PAD PLATE	1
31	H-30-1000007	BOTTOM FLAT PLATE	1
32	H-30-1000004	CONE ROLLER WASHER	1
33	H-30-1000006	WASHER	1
34	H-30-1000003	TIRE PRESSING ROLLER	1
35	FSK 01	PLASTIC PARTICLE SILENCER	2
36	GB889. 1-M10	1-TYPE PREVAILING TORQUE TYPE HEXAGON LOCK NUT	6
37	GB70. 1-M10×20	INNER HEXA CYLINDRICAL SCREW	5
38	GB70. 1-M10×50	INNER HEXA CYLINDRICAL SCREW	3
39	GB93-10	STANDARD SPRING WASHER	7
40	GB96. 1-10	LARGE WASHER A GRADE	1

ITEM	PART. No	DESCRIPTION.	QT. Y
41	GB894. 2-25	SHAFT ELATIC RETAINING RING B-TYPE	1
42	GB6172. 1-M10	HEXANGULAR THIN NUT	1
43	GB77-M8×20	INNER HEXA FLAT TERMINUS SET SCREW	9
44	GB6172. 1-M8	HEXANGULAR THIN NUT	9
45	GB95-5	FLAT WASHER	4
46	GB70. 1-M5×10	INNER HEXA CYLINDRICAL SCREW	4
47	GB894. 1-12	SHAFT ELATIC BIG RETAINING RING A-TYPE	2
48	GB95-10	FLAT WASHER	8
49	GB79-M10×20	INNER HEXA CYLINDRICAL TERMINUS SET SCREW	4
50	GB5782-M10×130	HEXANGULAR BOLT	4
51	GB70. 1-M8×70	INNER HEXA CYLINDRICAL SCREW	5
52	GB70. 1-M4×30	INNER HEXA CYLINDRICAL SCREW	3
53	GB70. 1-M10×25	INNER HEXA CYLINDRICAL SCREW	4
54	GB70. 1-M6×50	INNER HEXA CYLINDRICAL SCREW	2
55	GB95-4	FLAT WASHER	3
56	GB5781- M4×12	INNER HEXA CYLINDRICAL SCREW	3



ITEM	PART. No	DESCRIPTION.	QT. Y
1	H-10-1500002	CYLINDER FRONT COVER	1
2	H-10-1500005	CYLINDER BEAR COVER	1
3	H-10-1500004	PISTON ROD	1
4	H-10-1500003	CYLINDER	1
5	GB889. 1-M12	1- TYPE PREVAILING TORQUE TYPE HEXAGON LOCK NUT	1
6	GB95-12	FLAT WASHER	1
7	GB893. 1-30	ELASTIC RETAINING RING A-TYPE	1
8	H-10-1500006	BOLT	4
9	GB889. 1-M8	1-TYPE PREVAILING TORQUE TYPE HEXAGON LOCK NUT	8
10	H-10-1510000	CYLINDER SEALING PARTS ASSEMBLY	1
10. 1	GB3452. 1-95×2. 65-G	HYDRAULIC-PNEUMATIC RUBBER O-RING G TYPE	2
10. 2	GB3452. 1-20×2. 65	HYDRAULIC-PNEUMATIC RUBBER O-RING G TYPE	1
10. 3	BYXQ30x20x7	SEAL-ROD, CYLNDR	1
10. 4	H-10-1500001	PISTON	1
11	JH1 2010	BEARING-SLIDE	1



ITEM	PART. No	DESCRIPTION.	QT. Y
1	H-10-1910000	TOOL BOX ASSY WELDING	1
2	H-10-1900002	SPACE	2
3	GB95-4	FLAT WASHER	8
4	GB818-M4×10-H	CROSS PANHEAD SCREW	4
5	GB6170-M4	HEXANGULAR NUT 1-TYPE	4