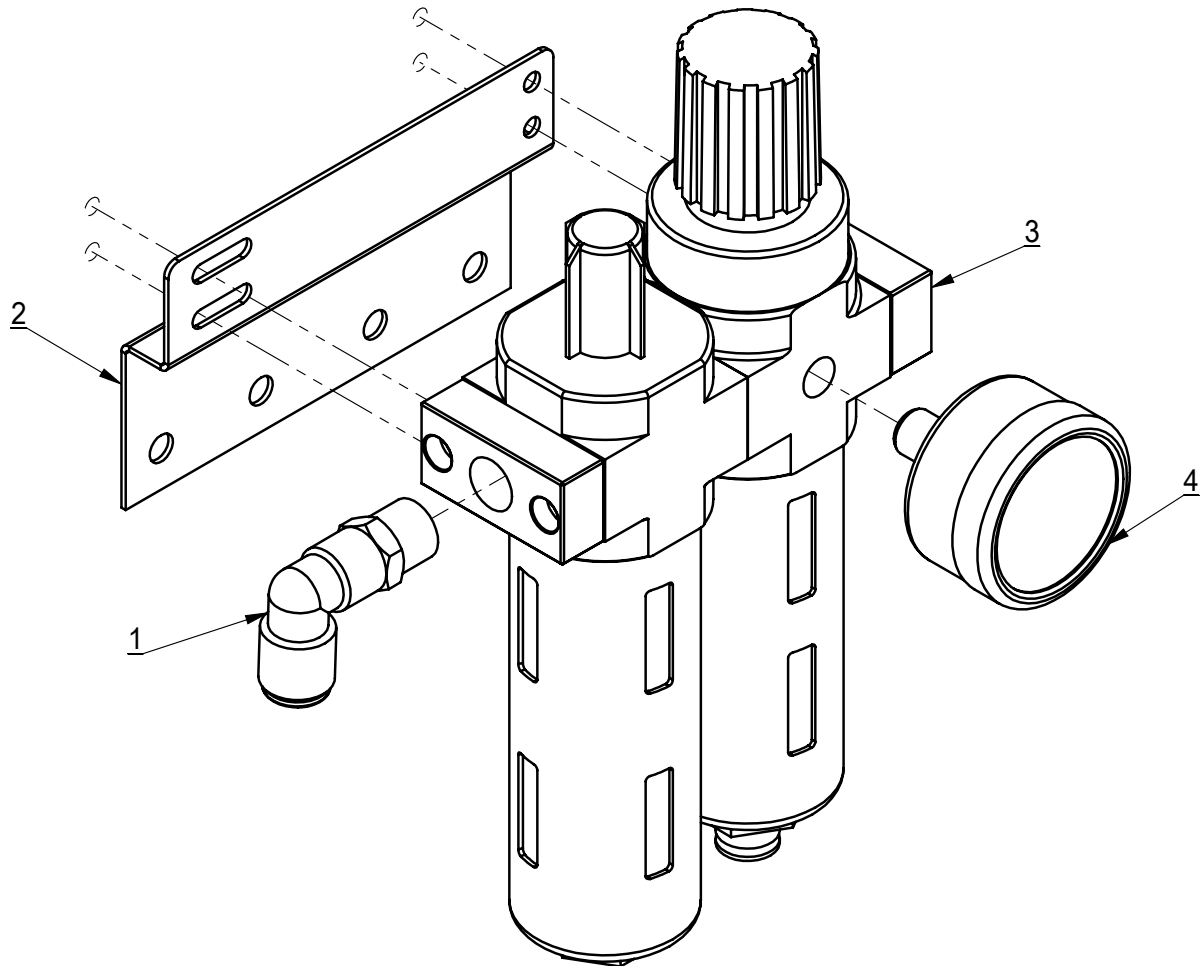
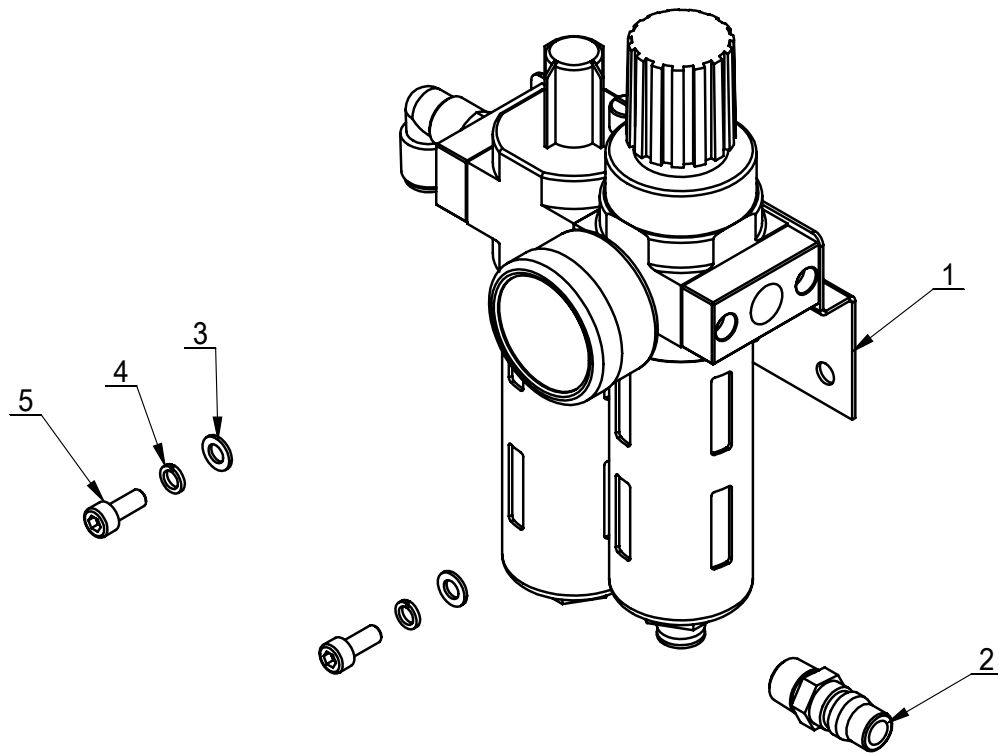


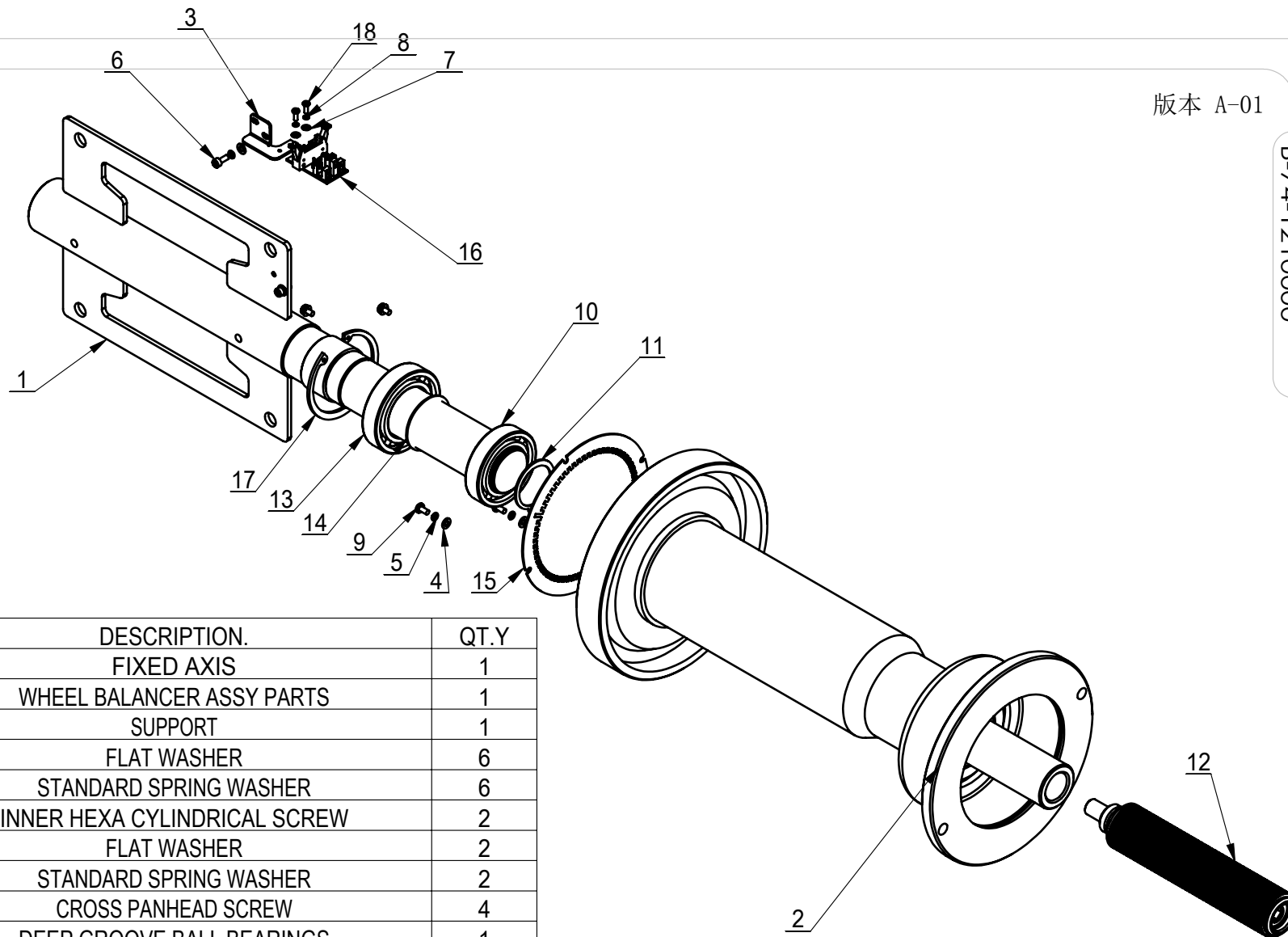
ITEM	PART.No	DESCRIPTION.	QT.Y
1	B-74-1100000	BODY WELDING ASSEMBLY	1
2	B-73-1000200	LAMP ASSEMBLY	1
3	B-74-1400000	DISPLAY COVER ASSEMBLY	1
4	B-73-1300000	AUTOMATIC MEASUREMENT SCALE ASSEMBLY FOR A,D VALUE	1
5	B-73-1000001	WEIGHT TRAY	1
6	B-73-1000005	power swich	1
7	B-73-1000010	GROUND WIRE	1
8	B-73-1000021	stopper	4
9	B-73-1000100	POWER SUPPLY ADAPTER ASSEMBLY	1
10	TB-E-1002300	POWER CABLE	1
11	TB-S-0100009	CONE HANG HANDLE	4
12	B-74-1000002	Lower cover	1
13	B-74-1000003	Upper cover	1
14	B-73-1400300	Power panel assemblies	1
15	B-74-1200000	BLANCE SHAFT ASSEMBLY	1
16	TB-L-0600006	HANDLE	1
17	B-74-1500000	MANIFOLD ASSEMBLY	1
18	GB6170-M5	HEXANGULAR NUT 1-TYPE	1
19	GB70.2-M12×30	INNER HEXA CYLINDRICAL ROUND HEAD SCREW	4
20	GB889.1-M12	1-TYPE PREVAILING TORQUE TYPE HEXAGON LOCK NUT	4
21	B-46-1000004	NUT	4
22	GB70.1-M6×16	INNER HEXA CYLINDRICAL SCREW	4
23	GB5781-M10×25	HEXANGULAR BOLT	4
24	GB818-M4×10-H	CROSS PANHEAD SCREW	7
25	B-74-1600000	LASER ASSEMBLY	1
26	B-73-1000007	ORNAMENT STOP-UP	1
27	TB-J-0400000	lifter assembly	1
28	B-73-1000008	A VALUE SENSOR WIRE	1
29	B-73-1000003	D VALUE SENSOR WIRE	1
30	B-74-1000001	SWITCH WIRE	1



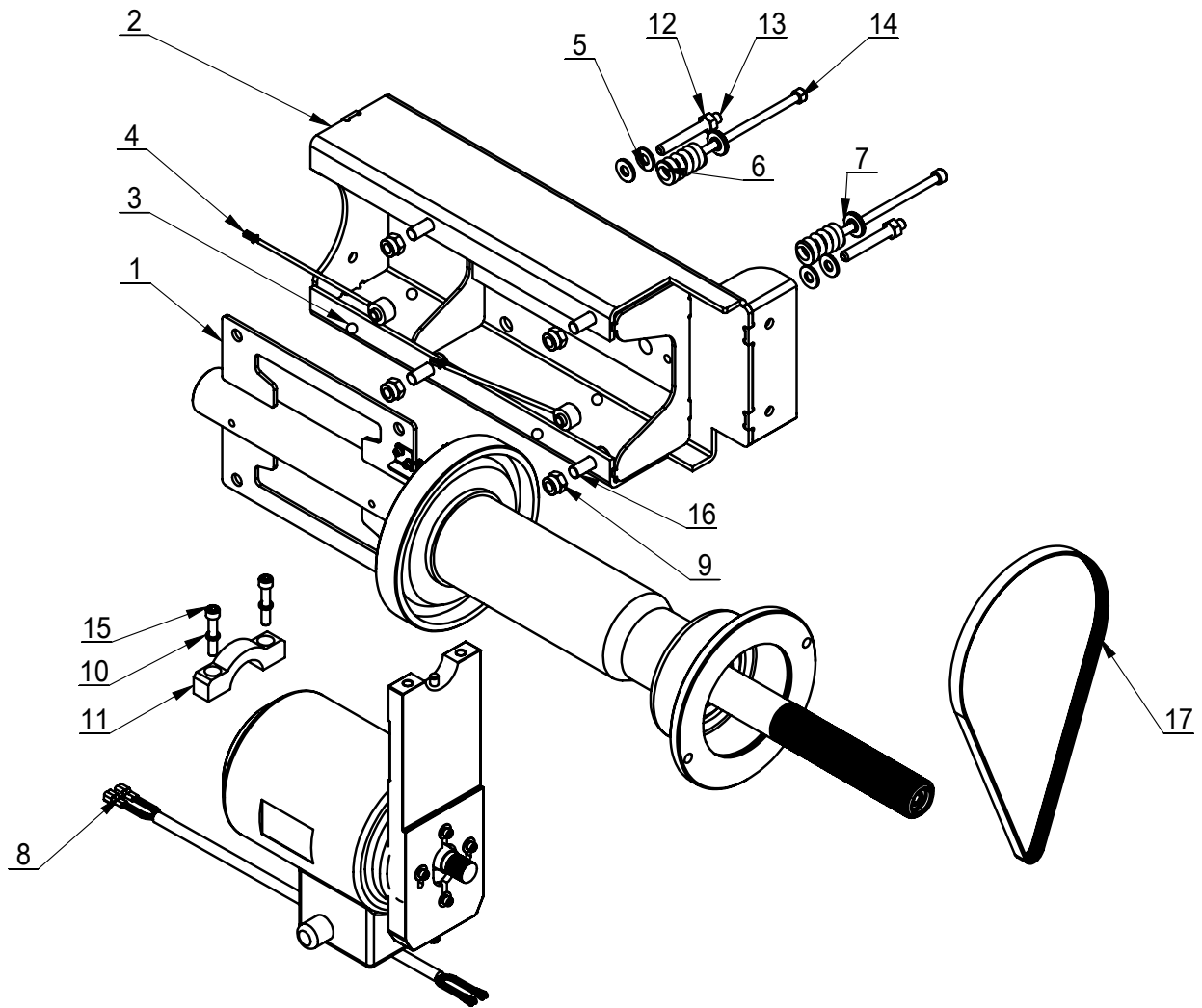
ITEM	PART.No	DESCRIPTION.	QT.Y
1	FPL 8-02	INSERT ELBOW $\Phi 8$ , R1/4	1
2	CT-F-2000040	AIR REGULATOR BRACKET	1
3	CT-F-2000060	CONNECTOR	1
4	CT-F-2000003	PRESSURE GAUGE	1



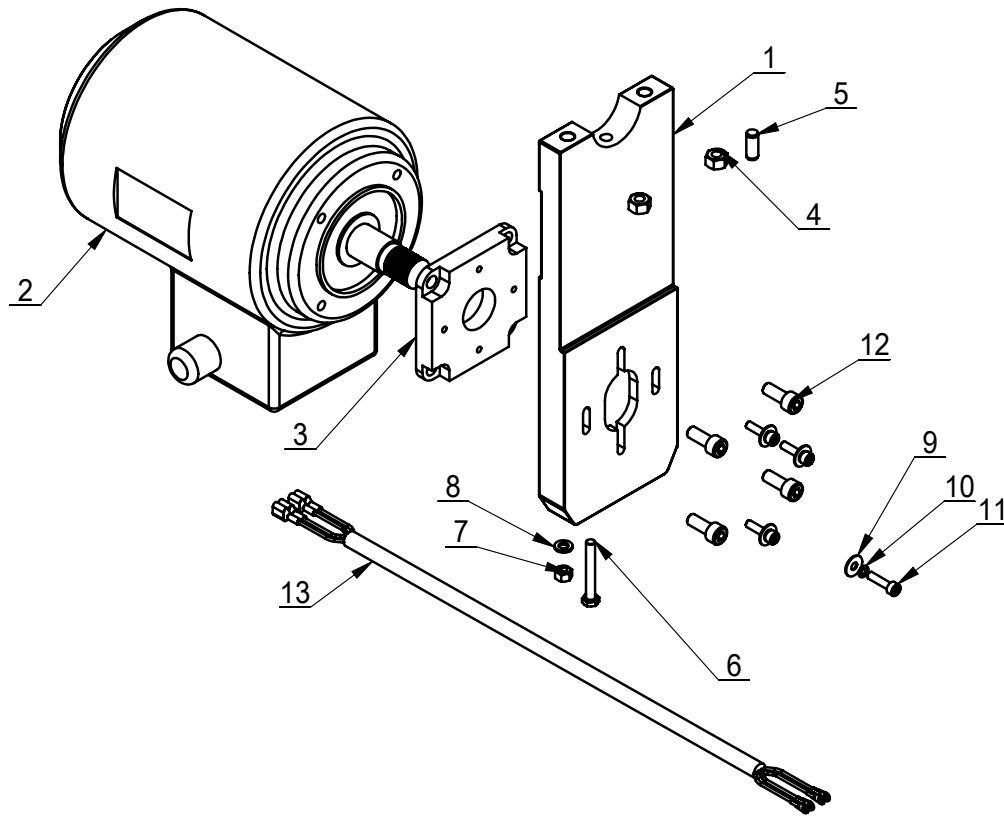
ITEM	PART.No	DESCRIPTION.	QT.Y
1	CT-F-2151200	WYE	1
2	C-54-8000011	AIR SUPPLY CONNECTOR	1
3	GB95-5	FLAT WASHER	2
4	GB93-5	STANDARD SPRING WASHER	2
5	GB70.1-M5×12	INNER HEXA CYLINDRICAL SCREW	2



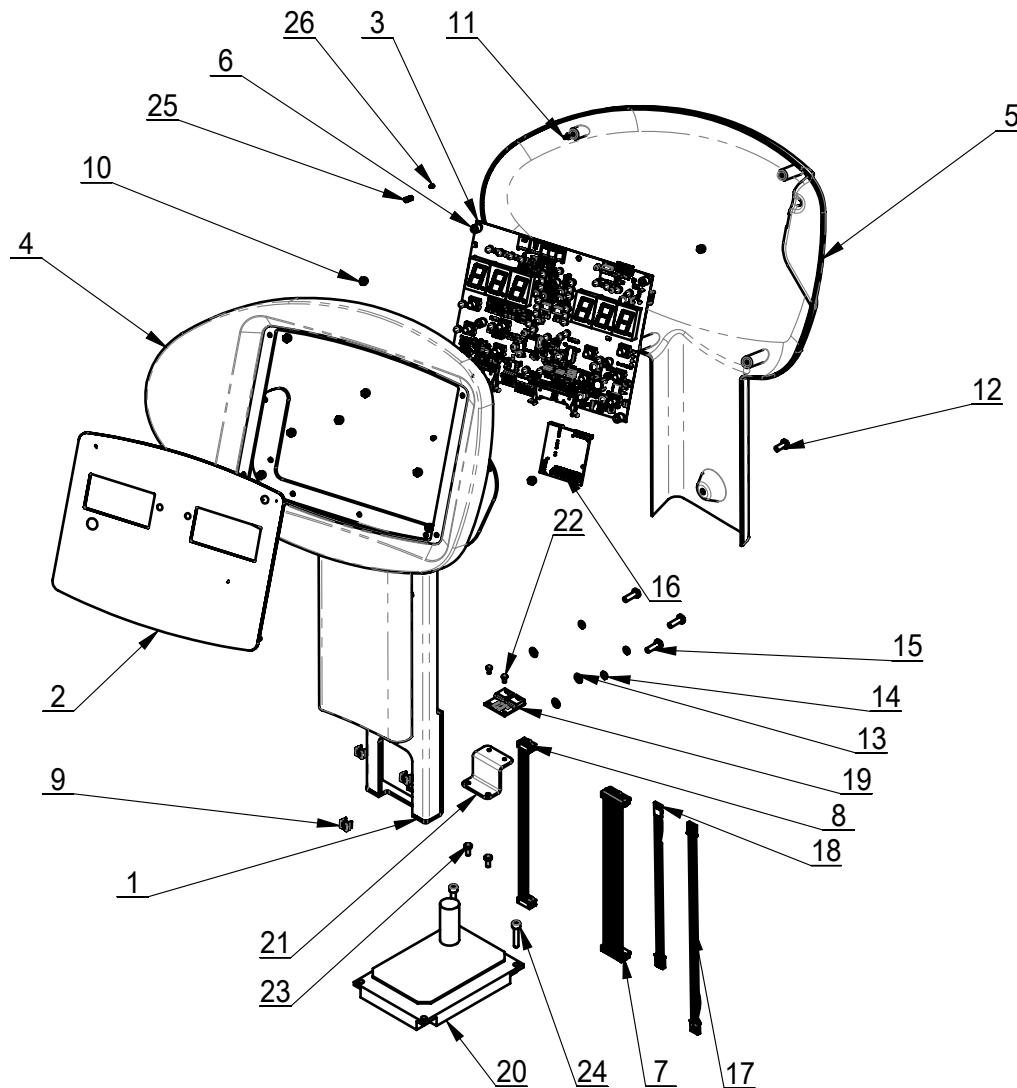
ITEM	PART.No	DESCRIPTION.	QT.Y
1	B-74-1211000	FIXED AXIS	1
2	B-74-1212000	WHEEL BALANCER ASSY PARTS	1
3	B-74-1210001	SUPPORT	1
4	GB95-4	FLAT WASHER	6
5	GB93-4	STANDARD SPRING WASHER	6
6	GB70.1-M4×10	INNER HEXA CYLINDRICAL SCREW	2
7	GB95-3	FLAT WASHER	2
8	GB93-3	STANDARD SPRING WASHER	2
9	GB818-M4×8-H	CROSS PANHEAD SCREW	4
10	GB276-6008	DEEP GROOVE BALL BEARINGS	1
11	GB894.1-40	SHAFT ELATIC BIG RETAINING RING A-TYPE	1
12	B-73-1215000	BALANCER SPINDLE	1
13	GB276-6009	DEEP GROOVE BALL BEARINGS	1
14	GB894.1-45	SHAFT ELATIC BIG RETAINING RING A-TYPE	1
15	B-73-1210002	RASTER	1
16	B-73-1210001	ENCODER BOARD	1
17	GB893.1-75	ELASTIC RETAINING RING A-TYPE	1
18	GB818-M3×8-H	CROSS PANHEAD SCREW	2



ITEM	PART.No	DESCRIPTION.	QT.Y
1	B-74-1210000	BALANCING SHAFT ASSEMBLY PART	1
2	B-74-1230000	SUPPORTING STRUCTURE	1
3	B-73-1200004	STAINLESS BEAD	4
4	B-73-1200003	SENSOR ASSEMBLY	2
5	DIN 6796 - 10	SPRING PIEZO WAHSER	4
6	B-73-1200007	PRESS SPRING	2
7	B-73-1200006	PRESS WASHER	2
8	B-74-1220000	MOTOR DEPARTMENT INSTALLED	1
9	GB889.1-M12	1-TYPE PREVAILING TORQUE TYPE HEXAGON LOCK NUT	5
10	GB93-8	STANDARD SPRING WASHER	2
11	B-74-1250002	PLATEN	1
12	GB6170-M10	HEXANGULAR NUT 1-TYPE	2
13	GB80-M10×80	INNER HEXA RECESSED TERMINUS SET SCREW	2
14	GB70.1-M8×140	INNER HEXA CYLINDRICAL SCREW	2
15	GB70.1-M8×45	INNER HEXA CYLINDRICAL SCREW	2
16	GB70.1-M12×30	INNER HEXA CYLINDRICAL SCREW	4
17	B-74-1200001	BELT	1

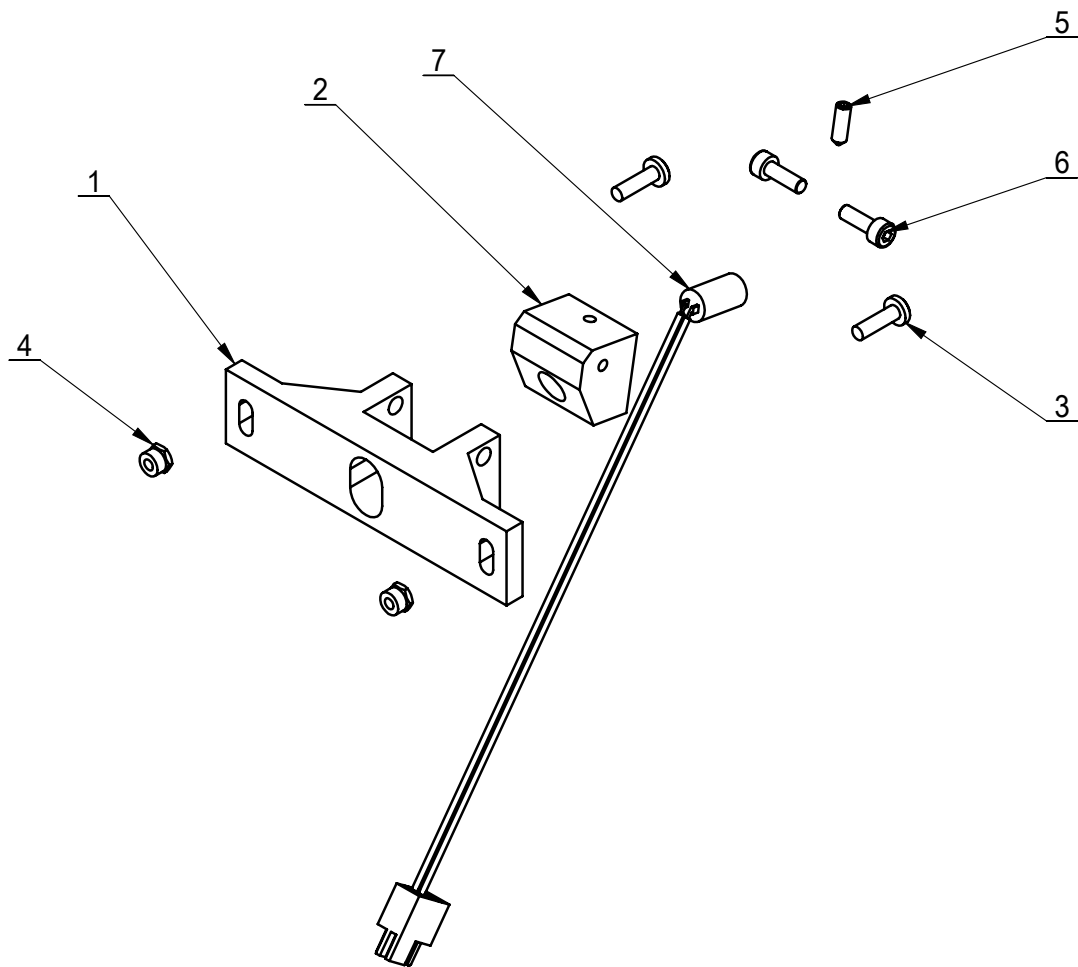


ITEM	PART.No	DESCRIPTION.	QT.Y
1	B-74-1221003	MOTOR SUPPORT BRACKET	1
2	B-74-1221100	MOTOR	1
3	B-74-1221001	ADJUSTMENT PLATE	1
4	GB41-M8	HEXANGULAR NUT	2
5	GB119.2-8×20	CYLINDRICAL PIN	1
6	GB95-6	FLAT WASHER	1
7	GB41-M6	HEXANGULAR NUT	1
8	GB96.2-5	LARGE WASHER C GRADE	4
9	GB93-5	STANDARD SPRING WASHER	4
10	GB70.1-M5×20	INNER HEXA CYLINDRICAL SCREW	4
11	GB5781-M6×45	HEXANGULAR BOLT	1
12	GB70.1-M8×20	INNER HEXA CYLINDRICAL SCREW	4
13	B-74-1221004	MOTOR LINE	1

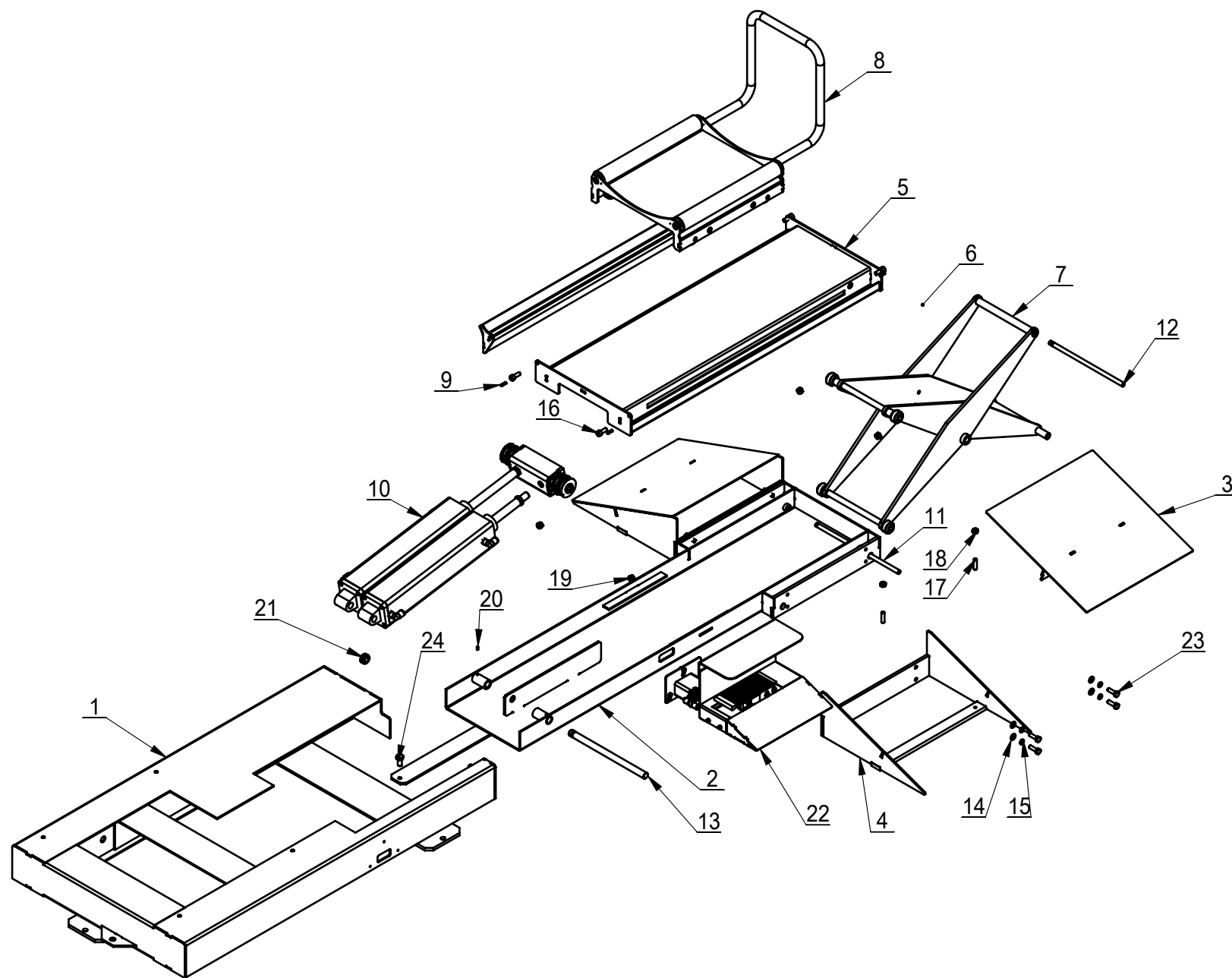


ITEM	PART.No	DESCRIPTION.	QT.Y
1	B-73-1410000	DISPLAY COVER BRACKET WELD	1
2	B-74-1420000	DISPLAY PANEL	1
3	B-74-1400001	MAIN BOARD	1
4	B-73-1400001	DISPLAY FRONT COVER	1
5	B-73-1400002	DISPLAY BACK COVER	1
6	B-73-1400003	BASE ROD	7
7	B-73-1400004	POWER BOARD CABLE	1
8	B-73-1400005	ENCODER BOARD CONNECTION WIRE	1
9	B-73-1000004	CLIP NUT	3
10	GB889.1-M4	1-TYPE PREVAILING TORQUE TYPE HEXAGON LOCK NUT	11
11	GB845-ST2.9×9.5 H C	CROSS PANHEAD TAPPING SCREW	12
12	GB818-M5×12-H	CROSS PANHEAD SCREW	1
13	GB95-5	FLAT WASHER	3
14	GB93-5	STANDARD SPRING WASHER	3
15	GB818-M5×16-H	CROSS PANHEAD SCREW	3
16	B-74-1400002	EXPANSION BOARD	1
17	B-74-1400003	AP11-12 LINE	1
18	B-74-1400004	AP10-AP11 LINE	1
19	B-74-1400005	COMMUNICATION BOARD	1
20	B-74-1400006	TRANSDUCER	1
21	B-74-1400007	SUPPORT	1
22	GB818-M3×6-H	CROSS PANHEAD SCREW	2
23	GB818-M4×10-H	CROSS PANHEAD SCREW	2
24	GB70.1-M5×25	INNER HEXA CYLINDRICAL SCREW	2
25	B-74-1400009	CUSHION COLUMN	1
26	B-74-1400010	BOLT	2

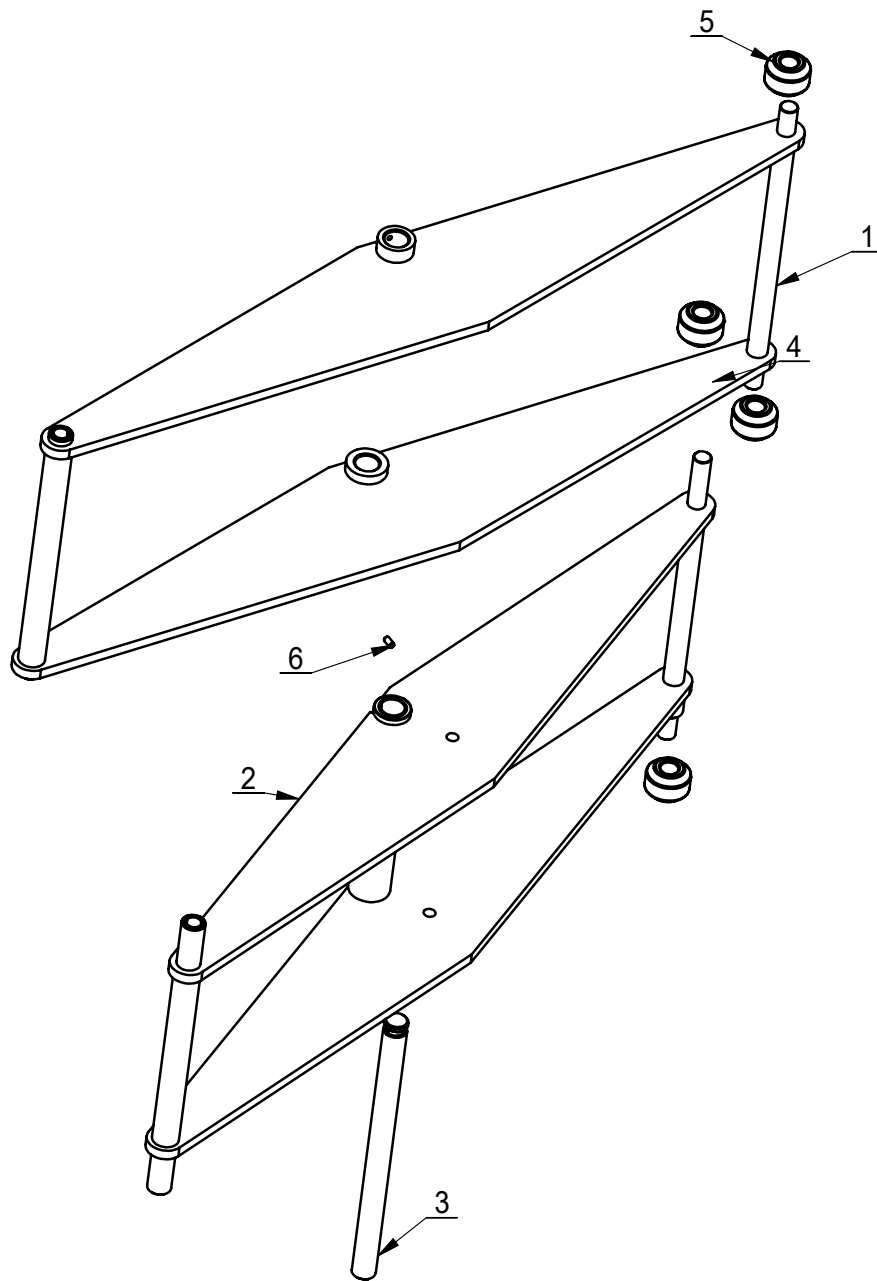




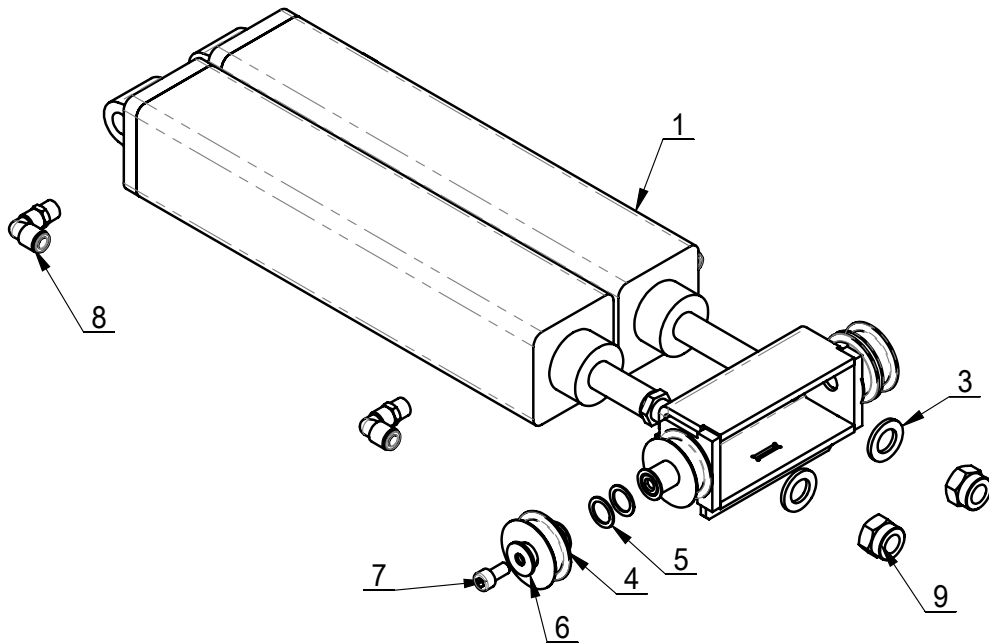
ITEM	PART.No	DESCRIPTION.	QT.Y
1	B-74-1600001	SUPPORT	1
2	B-74-1600002	FOUNDATION	1
3	GB818-M4×14-H	CROSS PANHEAD SCREW	2
4	GB889.1-M4	1-TYPE PREVAILING TORQUE TYPE HEXAGON LOCK NUT	2
5	GB78-M4×12	INNER HEXA CONIC TERMINUS SET SCREW	1
6	GB70.1-M4×12	INNER HEXA CYLINDRICAL SCREW	2
7	B-73-1700100	LINE LASER HEAD ASSY	1



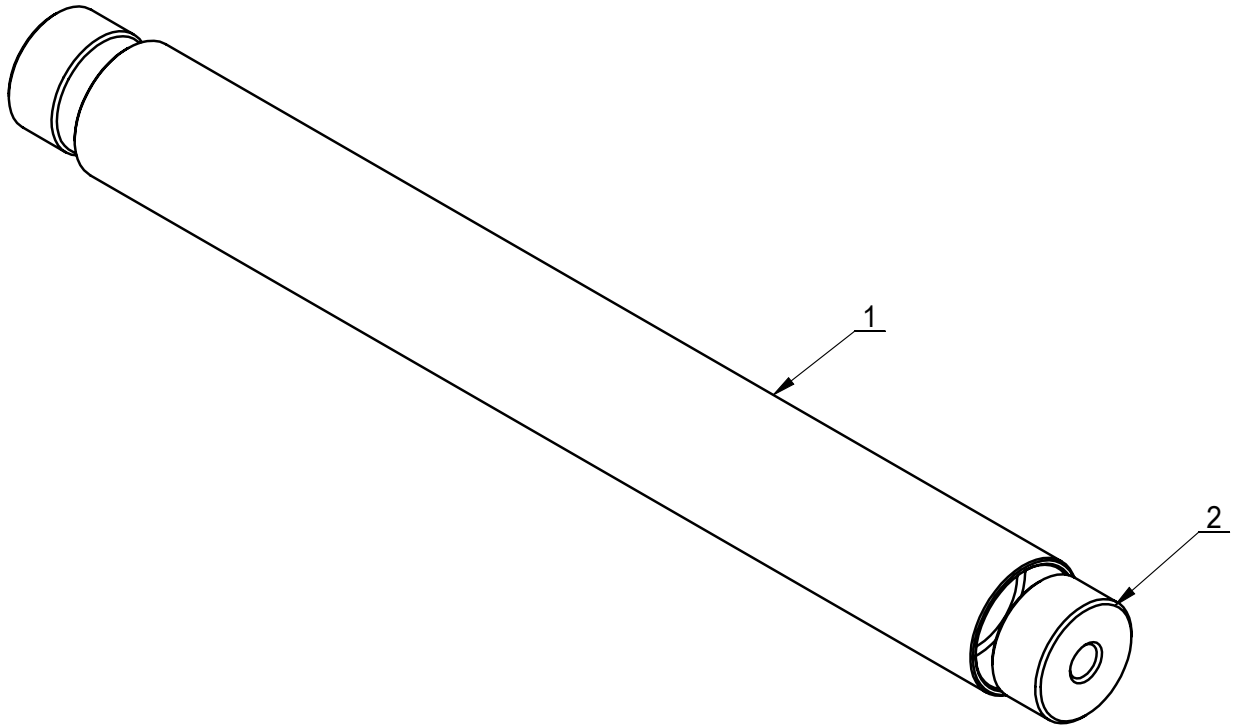
ITEM	PART.No	DESCRIPTION.	QT.Y
1	TB-J-0401000	BASE WELD	1
2	TB-J-0402000	FLOOR WELD	1
3	TB-J-0403200	BOARD WELD	2
4	TB-J-0403100	SLOPE WELD	2
5	TB-J-0405000	PLATE WELD	1
6	TB-J-0406000	ROTATING PLATE	2
7	TB-J-0408000	SLIDE ASSEMBLY	1
8	GB879.1-5×16	ELASTIC CYLINDRICAL PIN, HEAVY	4
9	TB-J-0409000	CYLINDER ASSEMBLY	1
10	TB-J-0400001	SUPPORT SHEFT	1
11	TB-J-0400002	SUPPORT SHEFT	1
12	TB-J-0400003	SUPPORT SHEFT	1
13	GB95-8	FLAT WASHER	8
14	GB93-8	STANDARD SPRING WASHER	8
15	GB70.1-M8×20	INNER HEXA CYLINDRICAL SCREW	4
16	GB80-M8×30	INNER HEXA RECESSED TERMINUS SET SCREW	4
17	GB6170-M8	HEXANGULAR NUT 1-TYPE	4
18	GB889.1-M8	1-TYPE PREVAILING TORQUE TYPE HEXAGON LOCK NUT	4
19	TB-J-0407000	SCALABLE ASSEMBLY	1
20	GB77-M4×8	INNER HEXA FLAT TERMINUS SET SCREW	2
21	C-71-1000019	RUBBER GROMMET	1
22	TB-J-0404000	FOOT CONTROL VALVE ASSEMBLY	1
23	GB5781-M8×25	HEXANGULAR BOLT	8
24	GB5781-M10×20	HEXANGULAR BOLT	1



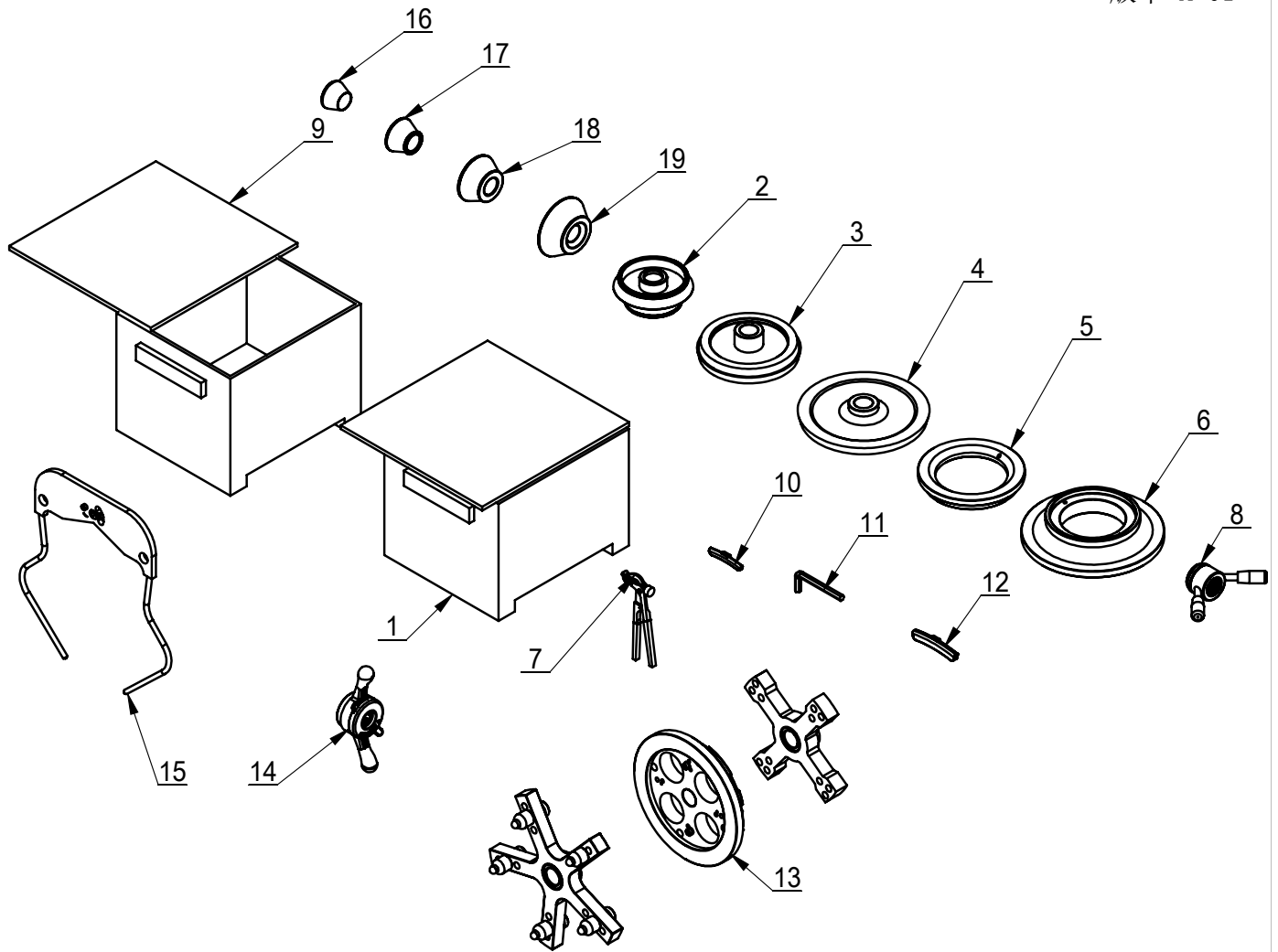
ITEM	PART.No	DESCRIPTION.	QT.Y
1	TB-J-0407200	SUPPORT ASSMBLY	1
2	TB-J-0407100	SUPPORT ASSMBLY	1
3	TB-J-0407001	SUPPORT SHAFT	1
4	TB-J-0407002	COVER	2
5	TB-J-0407003	WHEEL	4
6	GB77-M4×8	INNER HEXA FLAT TERMINUS SET SCREW	2



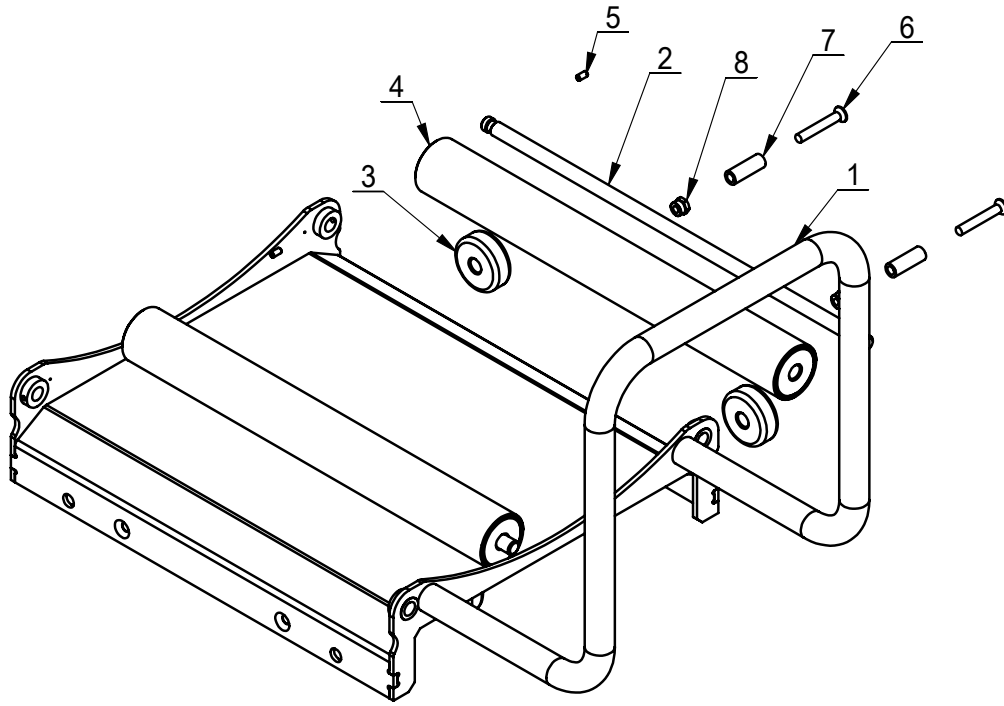
ITEM	PART.No	DESCRIPTION.	QT.Y
1	TB-J-0409200	CYLINDER	2
2	TB-J-0409100	PUSH PULL SEAT	1
3	GB95-16	FLAT WASHER	2
4	TB-J-0409001	WHEEL	4
5	TB-J-0409002	MAT	10
6	GB96.1-8	LARGE WASHER A GRADE	2
7	GB70.1-M8×16	INNER HEXA CYLINDRICAL SCREW	2
8	FPL 8-03	INSERT ELBOW $\Phi 8$ , R3/8	4
9	GB889.1-M16X1.5	1-TYPE PREVAILING TORQUE TYPE HEXAGON LOCK NUT	2



ITEM	PART.No	DESCRIPTION.	QT.Y
1	TB-J-0408201	IDLER WHEEL	1
2	TB-J-0408202	WHEEL	2

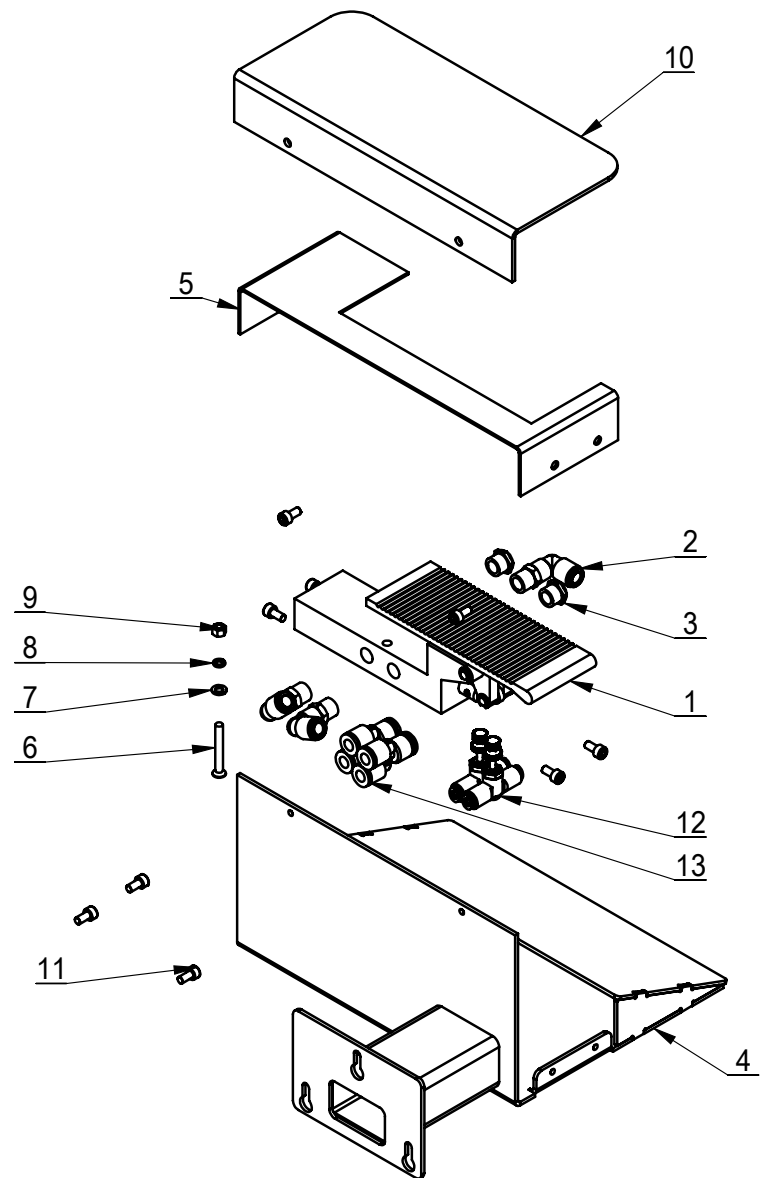


ITEM	PART.No	DESCRIPTION.	QT.Y
1	TB-S-0300001	ACCESSORY BOX	2
2	TB-P-0300036	CONE_C	1
3	TB-P-0300041	CONE_B	1
4	TB-P-0300042	CONE_C	1
5	TB-P-0200010	FLANGE	1
6	TB-P-0200011	BIG_FLANGE	1
7	TB-S-0100005	BALANCE HAMMAR	1
8	TB-K-0500000	LOCK NUT	1
9	TB-S-0300002	ACCESSORY TOP	2
10	TB-S-0500001	WEIGHT(50g)	1
11	TB-S-0500002	SPANNER 12mm	1
12	TB-S-0400001	WEIGHT(50g)	1
13	B-W-0900000	Adaptor	1
14	TB-K-0200000HWK	40mm QUICK NUT	1
15	TB-S-0300003	CALIPER ASSEMBLY	1
16	TB-P-0300031	40CONE 42-65	1
17	TB-P-0300032	40CONE 54-78	1
18	TB-P-0300033	40CONE 74-108	1
19	TB-P-0300034	40CONE 89-140	1

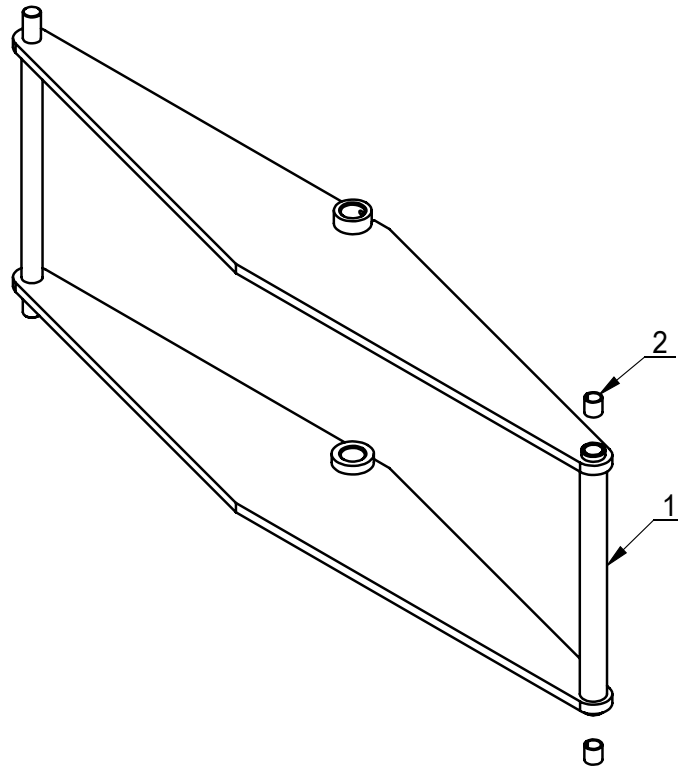


ITEM	PART.No	DESCRIPTION.	QT.Y
1	TB-J-0408100	BLOCK	1
2	TB-J-0408001	POLE	2
3	TB-J-0408002	WHEEL	4
4	TB-J-0408200	WHEEL ASSEMBLY	2
5	GB77-M4×8	INNER HEXA FLAT TERMINUS SET SCREW	2
6	GB819.1-M6×40-H	CROSS COUNTERSUNK SCREW STEEL 4.8 GRADE	4
7	TB-J-0408003	SPACER	4
8	GB889.1-M6	1-TYPE PREVAILING TORQUE TYPE HEXAGON LOCK NUT	4

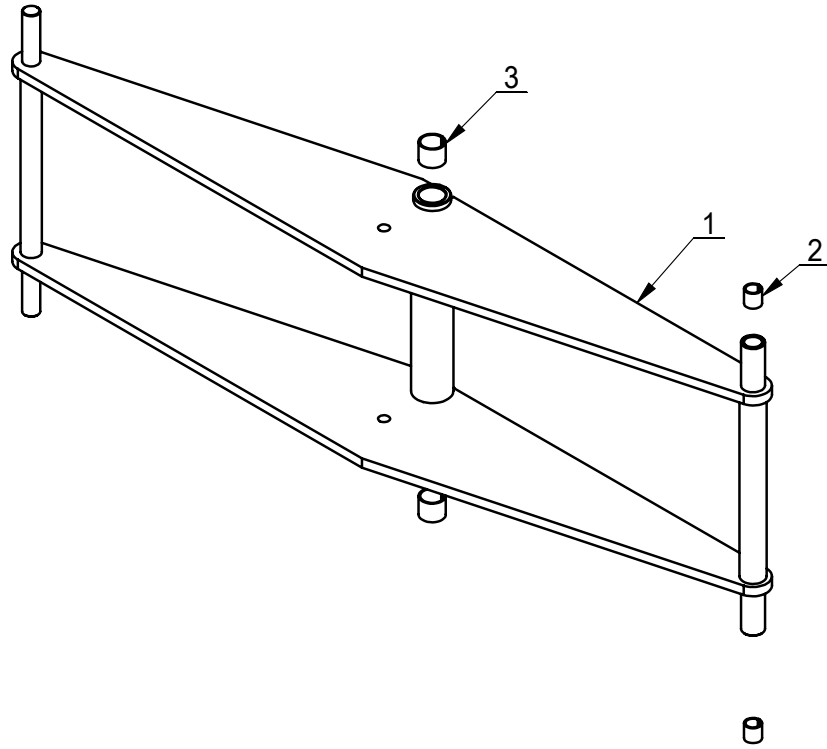




ITEM	PART.No	DESCRIPTION.	QT.Y
1	TB-J-0205006	FOOT VALVE	1
2	FPL 8-02	INSERT ELBOW $\Phi 8$ , R1/4	3
3	FSSL-02	Mini Brass Silencer	2
4	TB-J-0404100	FOOT VALVE ASSEMBLY	1
5	GB70.1-M5×10	INNER HEXA CYLINDRICAL SCREW	9
6	GB819.1-M5×40-H	CROSS COUNTERSUNK SCREW STEEL 4.8 GRADE	3
7	GB95-5	FLAT WASHER	3
8	GB93-5	STANDARD SPRING WASHER	3
9	GB41-M5	HEXANGULAR NUT	3
10	TB-J-0404002	SHUTTER	1
11	TB-J-0404001	SHUTTER	1
12	FPA-8	SPEED ADJUST VALVE	2
13	FPY-8	Y-SHAPE INSERT FITTING $\Phi 8$	2



ITEM	PART.No	DESCRIPTION.	QT.Y
1	TB-J-0407210	SUPPORT WELD	1
2	GB12631-10X12X12	ROTATION BUSHING	2



ITEM	PART.No	DESCRIPTION.	QT.Y
1	TB-J-0407110	SUPPORT WELD	1
2	GB12631-10X12X12	ROTATION BUSHING	2
3	GB12631-16X18X15	ROTATION BUSHING	2