

Exploded Drawing

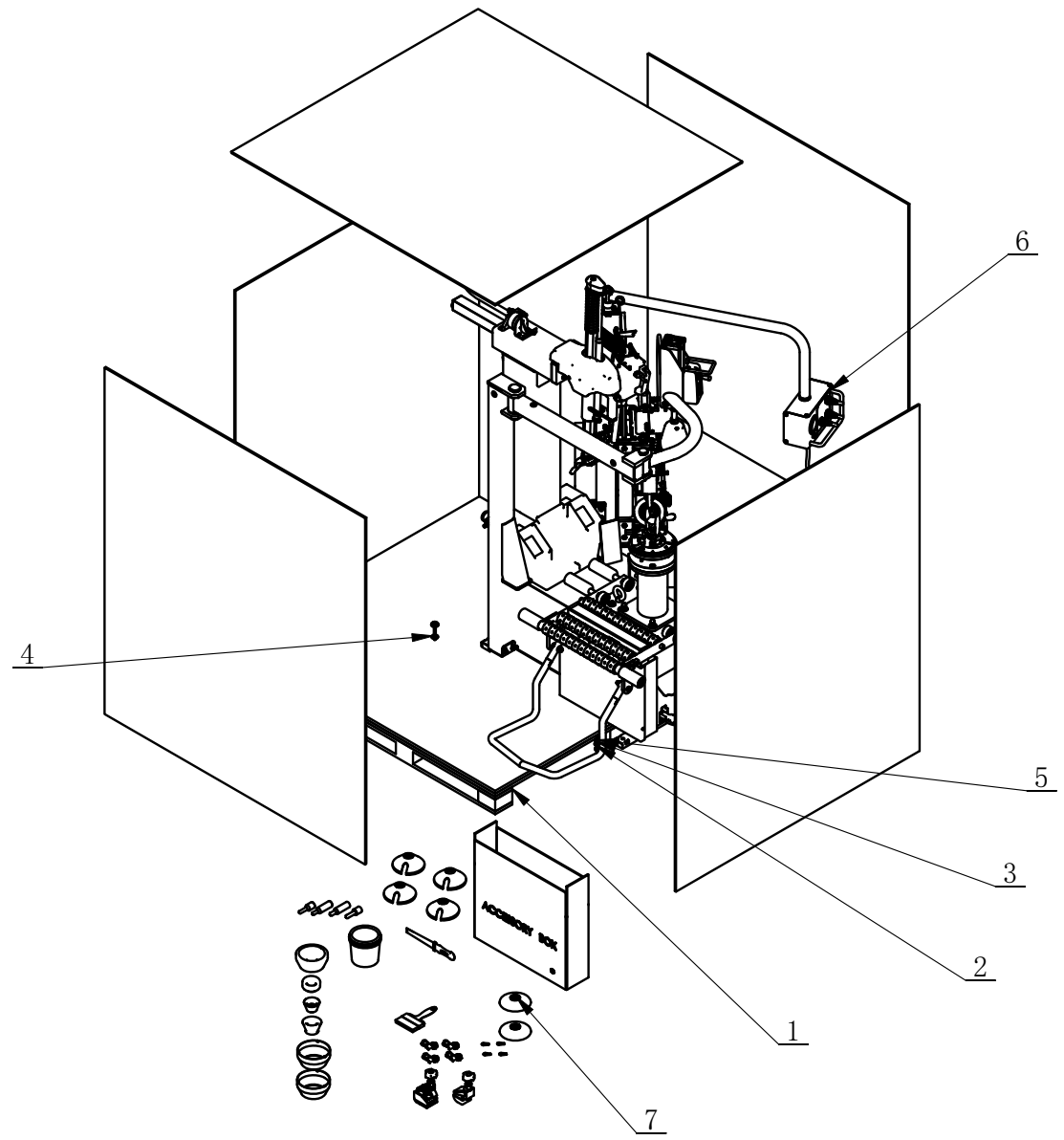
896

Version: 15A-02

Organization: Shuzeng Li **To examine:**

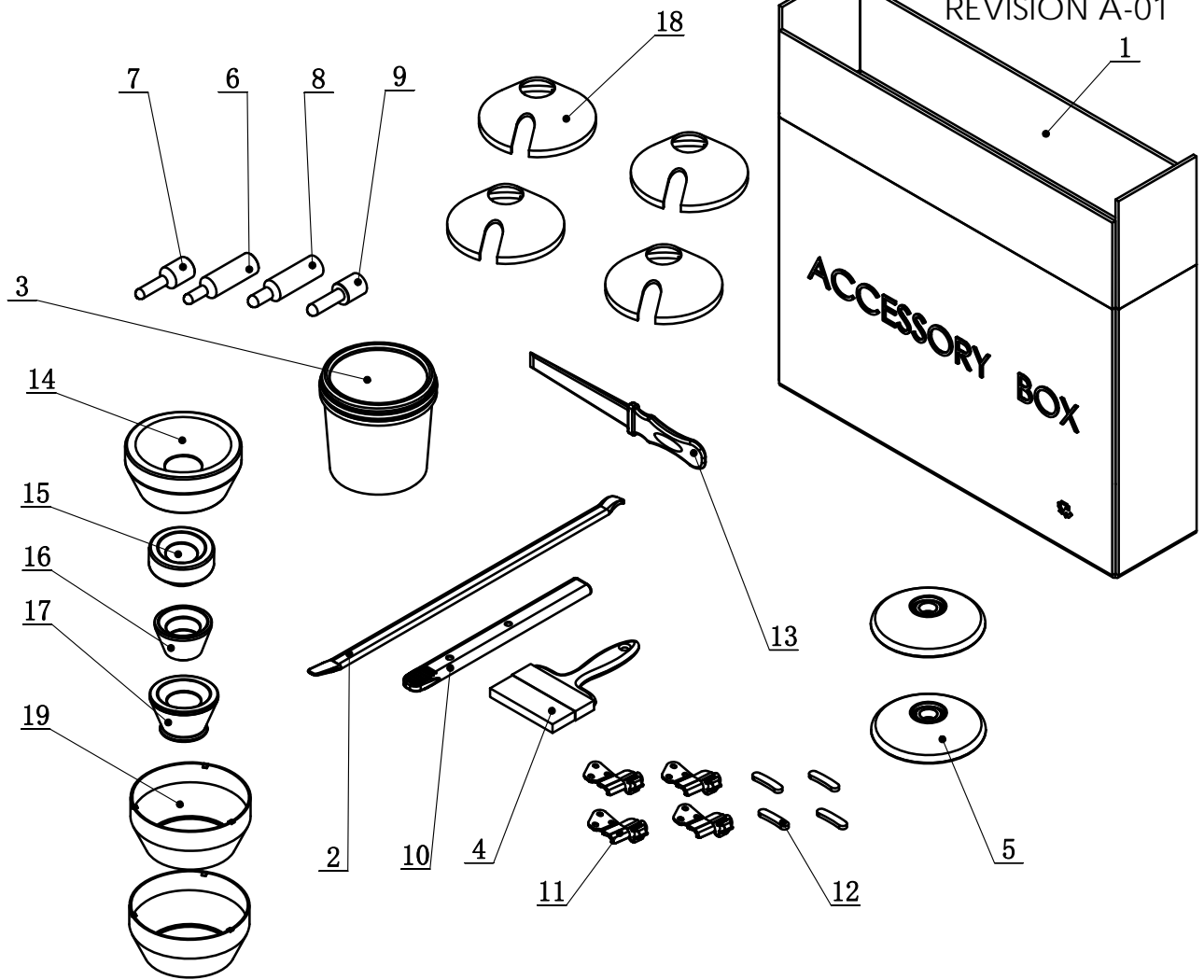
Approval:

Date: 20151109

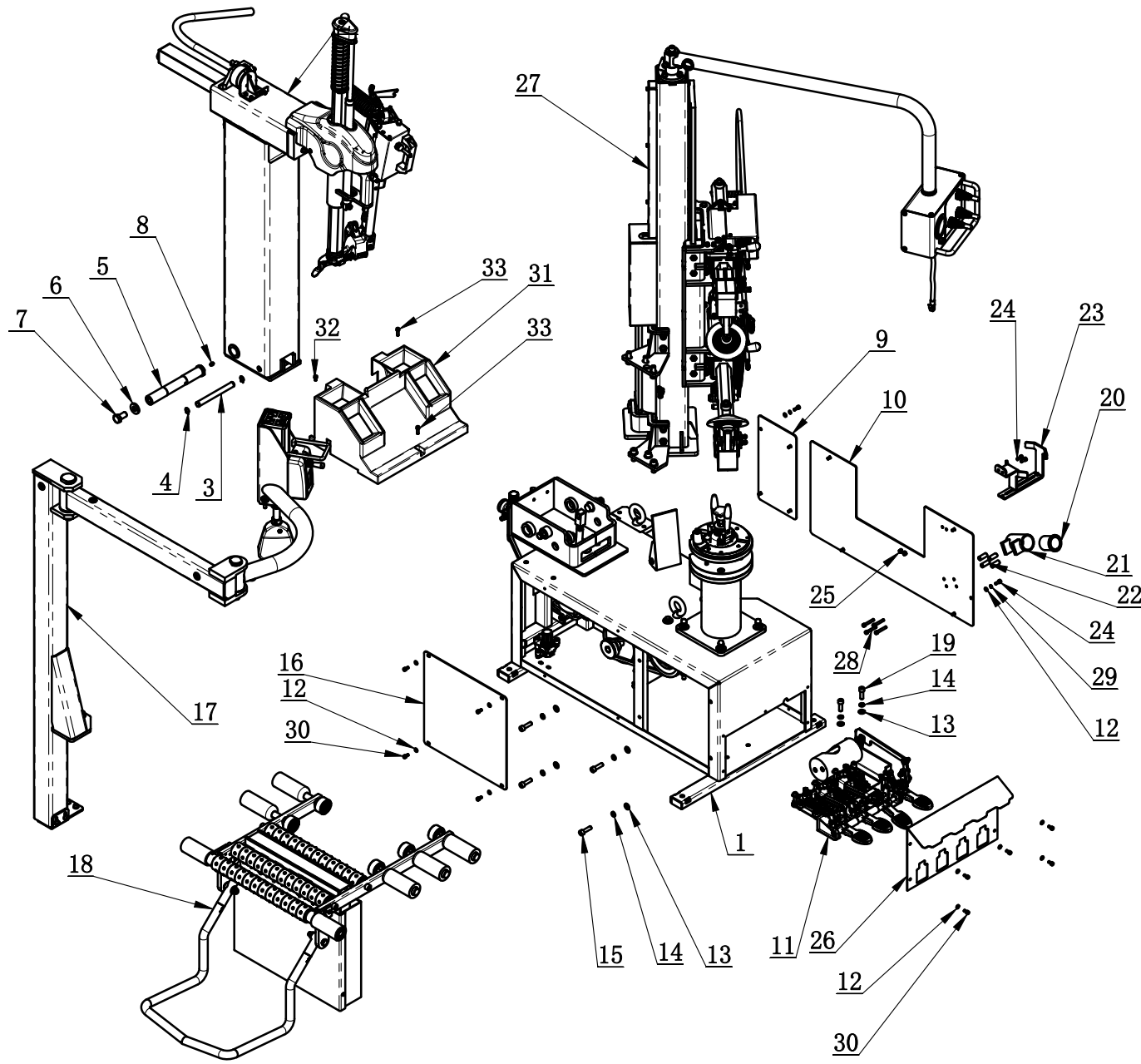


ITEM	PART. No	DESCRIPTION.	QT. Y
1	C-A2-9000000	PLYWOOD WITH STEEL BELT PACKAGE	1
2	C-54-0000003	CUSHION	3
3	GB96. 2-8	EXTREM LARGE WASHER C-GRADE	6
4	GB41-M8	HEXANGULAR NUT	3
5	GB5780-M8×80	HEXANGULAR BOLT	3
6	C-A2-1000000	LEVERLESS TIRE CHANGER	1
7	C-A2-8000000	ACCESSORY	1

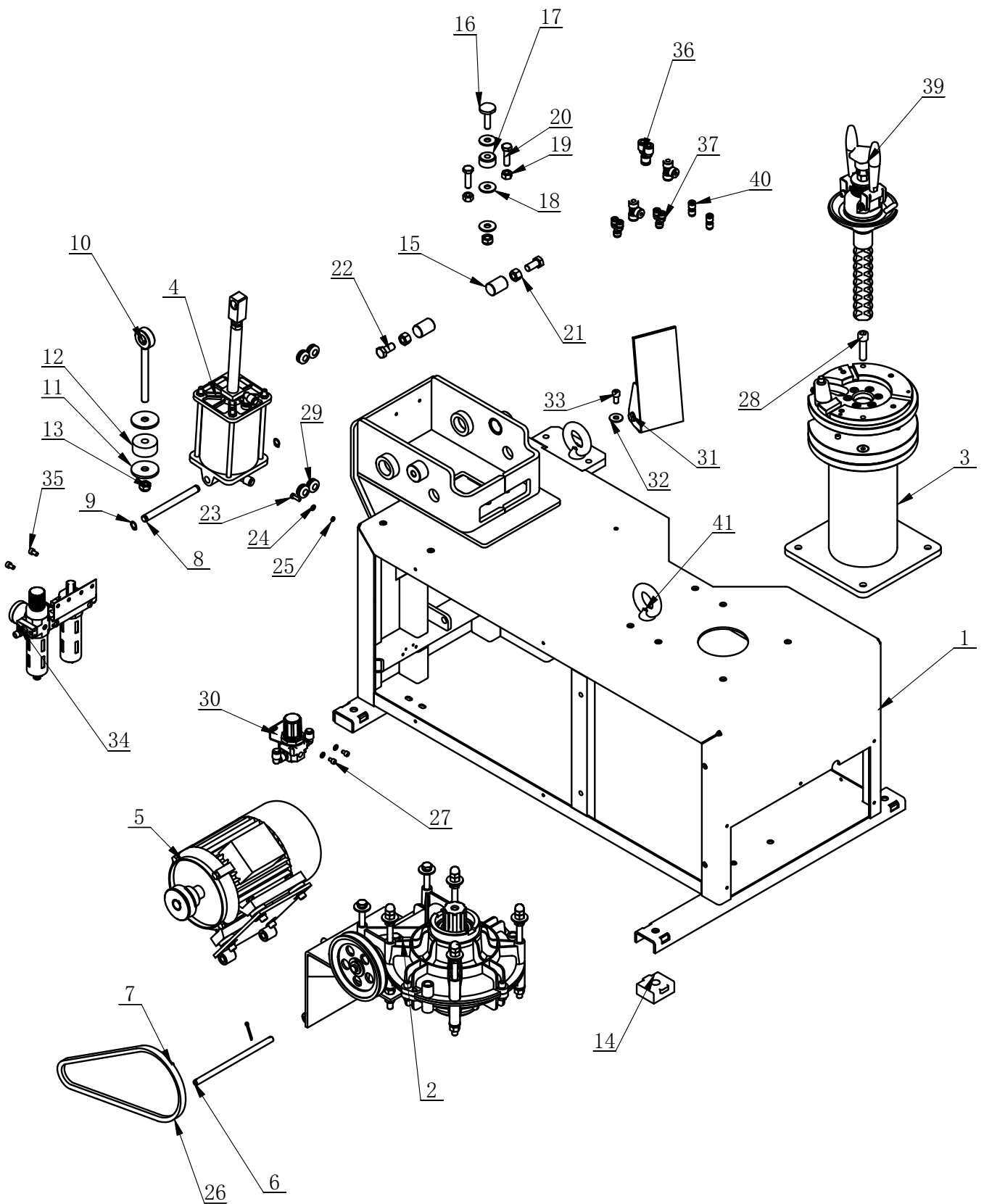
C-A2-8000000



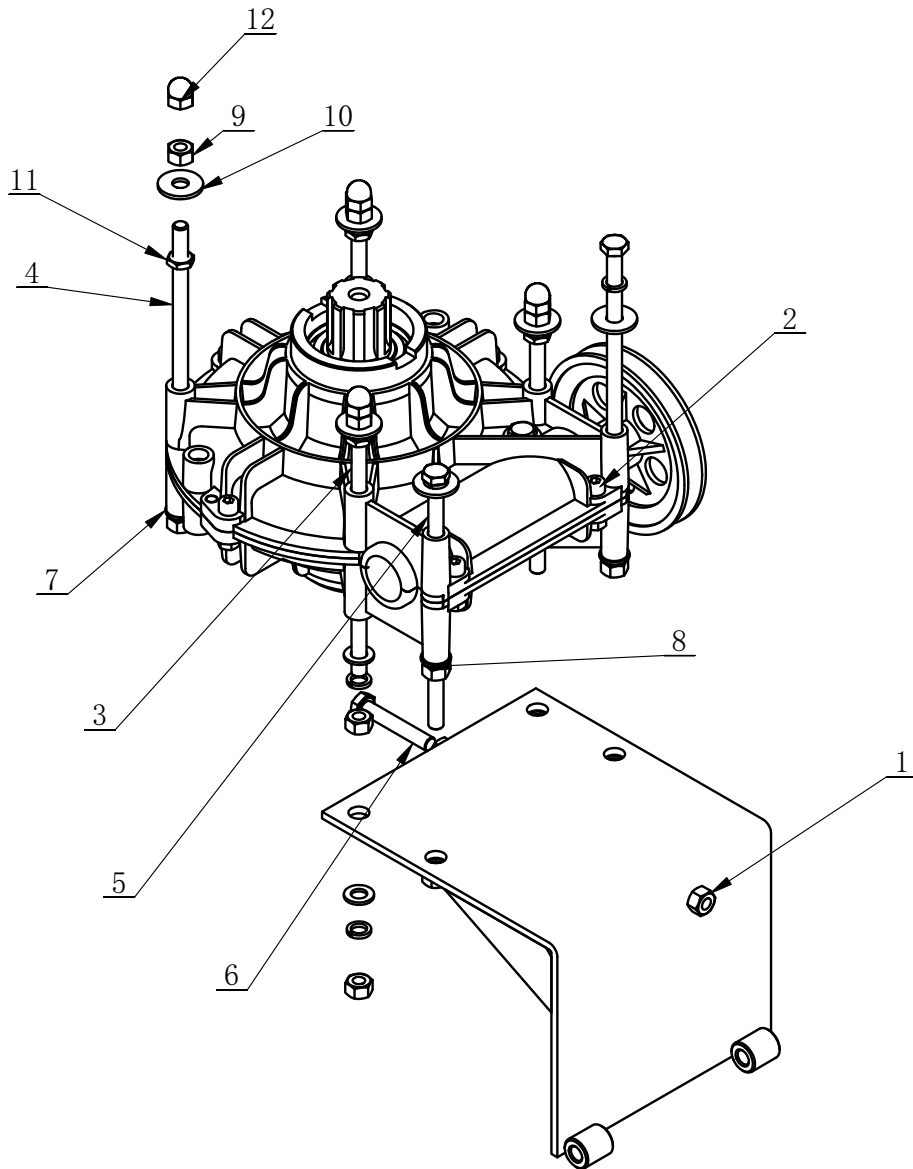
ITEM	PART. No	DESCRIPTION.	QT. Y
1	TB-S-0100006	ACCESSORY CASE CB958G	1
2	C-54-8000003	20INCH CROWBAR	1
3	C-54-8100000	GREASE CONTAINER	1
4	TC-40-8000007	BRUSH	1
5	C-A1-1361000	RING ASM	2
6	C-A1-1190006	EXTENSION BAR	1
7	C-A1-1190007	EXTENSION BAR	1
8	C-A1-1190008	EXTENSION BAR	1
9	C-A1-1190009	EXTENSION BAR	1
10	C-54-8000019	COVER	1
11	C-8A-1510012	HOOK CUSHION	4
12	C-54-8000007	TOOL HEAF TAIL WASHER	4
13	C-8A-8000001	CROWBAR	1
14	C-A1-11C0010	LARGETAPER	1
15	C-A1-11C0011	BOCCA	1
16	C-A2-1120002	36CONE 42-65	1
17	C-A2-1120003	36CONE 54-78	1
18	C-A1-11C0007	CONE COVER	4
19	C-A1-11C0009	BIG CONE COVER	2



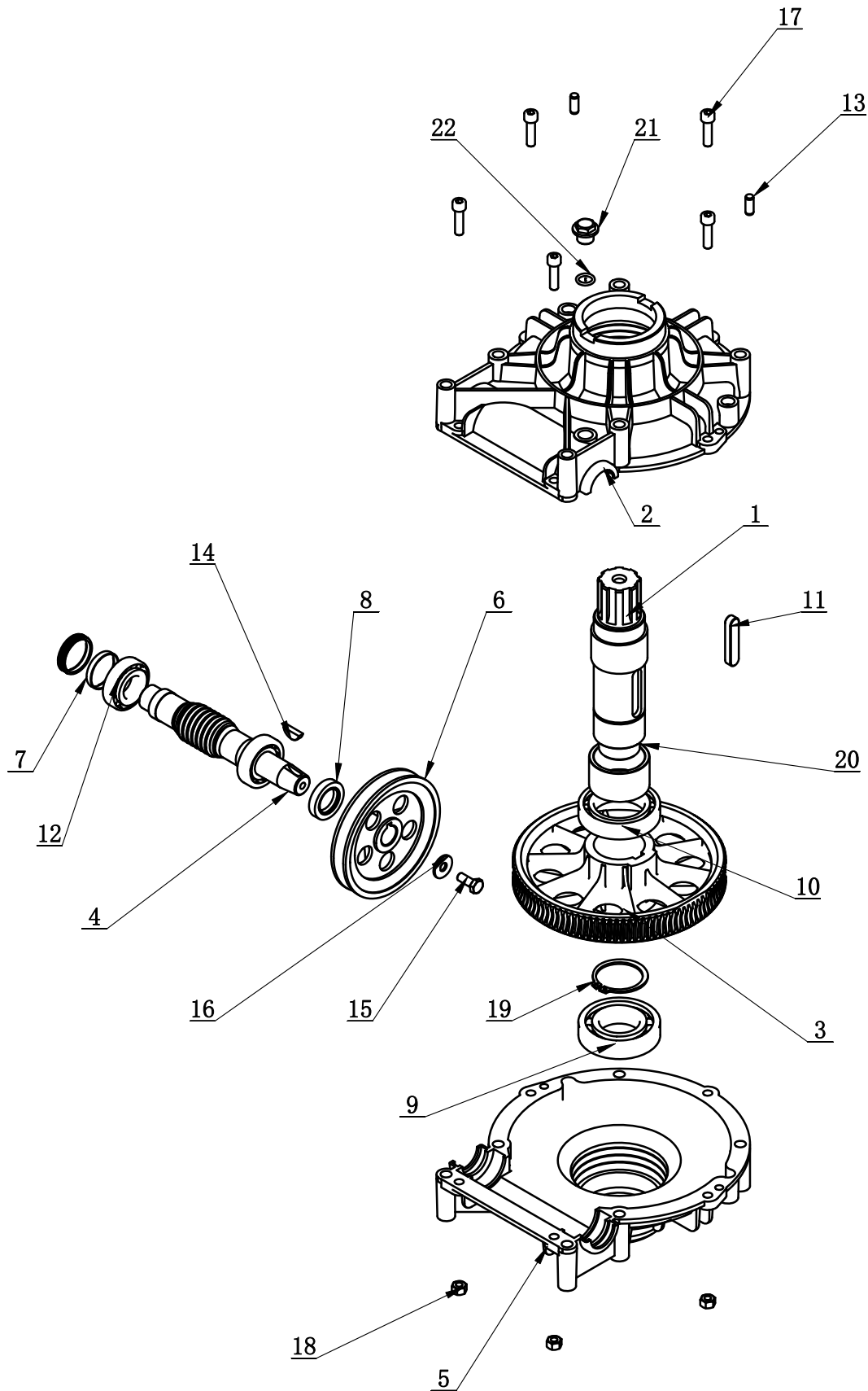
ITEM	PART. No	DESCRIPTION.	QT. Y
1	C-A2-1100000	BODY WELDING	1
2	C-A2-1500000	UNRIGHT PILLAR	1
3	C-A2-1000005	SHAFT	1
4	GB894. 1-15	SHAFT ELATIC BIG RETAINING RING A-TYPE	2
5	C-A2-1000004	BOTTOM ROTATION SHAFT	1
6	C-71-1000010	WASHER	1
7	GB5781-M16×30-8·8	HEXANGULAR BOLT	1
8	TC-10-8400006	OIL BOTTLE	1
9	C-A2-1100005	PANEL	1
10	C-A2-1100004	PANEL	1
11	C-A2-1900000	PEDAL ASSEMBLY	1
12	GB95-6	FLAT WASHER	18
13	C-A2-1000009	PANEL	1
14	C-A2-1800000	LEFT ASSISTANT ARM	1
15	C-A2-1700000	LIFTING BRACKET	1
16	GB95-10	FLAT WASHER	6
17	GB93-10	STANDARD SPRING WASHER	6
18	GB70. 1-M10×30	INNER HEXA CYLINDRICAL SCREW	2
19	C-A1-1700003	NYLON BUSHING	1
20	C-A1-1700004	FIX PIPE	1
21	C-A2-1000011	INTERVAL RING	4
22	C-54-8002000	ADJUST SUPPORTER	1
23	GB70. 1-M6×16	INNER HEXA CYLINDRICAL SCREW	11
24	GB889. 1-M6	LOCK NUT	2
25	C-A2-1100006	PROTECTIVE COVER	1
26	C-A2-1600000	ASSISTANT ARM R	1
27	GB70. 1-M6×40	INNER HEXA CYLINDRICAL SCREW	4
28	GB93-6	STANDARD SPRING WASHER	9
29	GB70. 1-M6×12	INNER HEXA CYLINDRICAL SCREW	9
30	C-A2-1000013	PROTECTIVE COVER	1
31	GB70. 1-M6×10	INNER HEXA CYLINDRICAL SCREW	1
32	GB70. 1-M6×20	INNER HEXA CYLINDRICAL SCREW	2
33	GB70. 1-M10×35	INNER HEXA CYLINDRICAL SCREW	4



ITEM	PART. No	DESCRIPTION.	QT. Y
1	C-A2-1110000	BODY	1
2	C-A2-1150000	MAIN SHAFT DRIVEN ASSEMBLY	1
3	C-A2-11C0000	MAIN SHAFT ASM	1
4	C-A2-1180000	PULL-OUT CYLINDER D100X60	1
5	C-A2-1170000	MOTER ASM	1
6	C-A1-1100010	ROTATION SHAFT	1
7	GB91-3.2×25	SLOTTED PIN	2
8	C-A2-1100001	PIN SHAFT	1
9	GB894.1-12	SHAFT ELATIC BIG RETAINING RING A-TYPE	2
10	C-A2-1100100	PULL POLE	1
11	C-A2-1100002	WASHER	2
12	C-A2-1100003	SHOCK ABSORPTION WASHER	1
13	GB889.1-M12	LOCK NUT	2
14	C-54-1000005	RUBBER FOOT	5
15	C-A2-1100007	GUIDE POST	2
16	C-90-1000011	BUMPER LOCK BOLT	1
17	C-71-1000013	WASHER Φ30xΦ10x15	1
18	GB96.2-10	LARGE WASHER C GRADE	3
19	GB41- M10	HEXANGULAR NUT	2
20	GB5781-M10×35	HEXANGULAR BOLT	2
21	GB41-M12	HEXANGULAR NUT	2
22	GB5781-M12×25	HEXANGULAR BOLT	2
23	GB5781-M5×16	HEXANGULAR BOLT	1
24	GB95-5	FLAT WASHER	3
25	GB93-5	STANDARD SPRING WASHER	1
26	TC-20-1200002	V-BELT -A850	1
27	GB70.1-M5×8	INNER HEXA CYLINDRICAL SCREW	2
28	GB70.1-M12×45	INNER HEXA CYLINDRICAL SCREW	1
29	C-71-1000019	STOP-UP	4
30	H-40-1600000	PRESSURE ADJUST VALVE	1
31	C-A2-1A00000	MIRROR	1
32	GB96.2-8	LARGE WASHER C GRADE	1
33	GB70.1-M8×16	INNER HEXA CYLINDRICAL SCREW	1
34	C-A2-1B00000	AIR REGULATOR ASSEMBLY	1
35	GB70.1-M6×10	INNER HEXA CYLINDRICAL SCREW	2
36	FPY-8	Y-SHAPE INSERT FITTING Φ8	1
37	FPY-6	Y type JOIN 6	2
38	FPT 6-8-8	DIFFERENT DIA OF UNION TEE	2
39	C-A1-11C0000	SCREW ASSEMBLY	1
40	FPG 6-4	DIFFERENT DIA OF UNION STRAIGHT	2
41	GB825-M16	RING SCREW	2



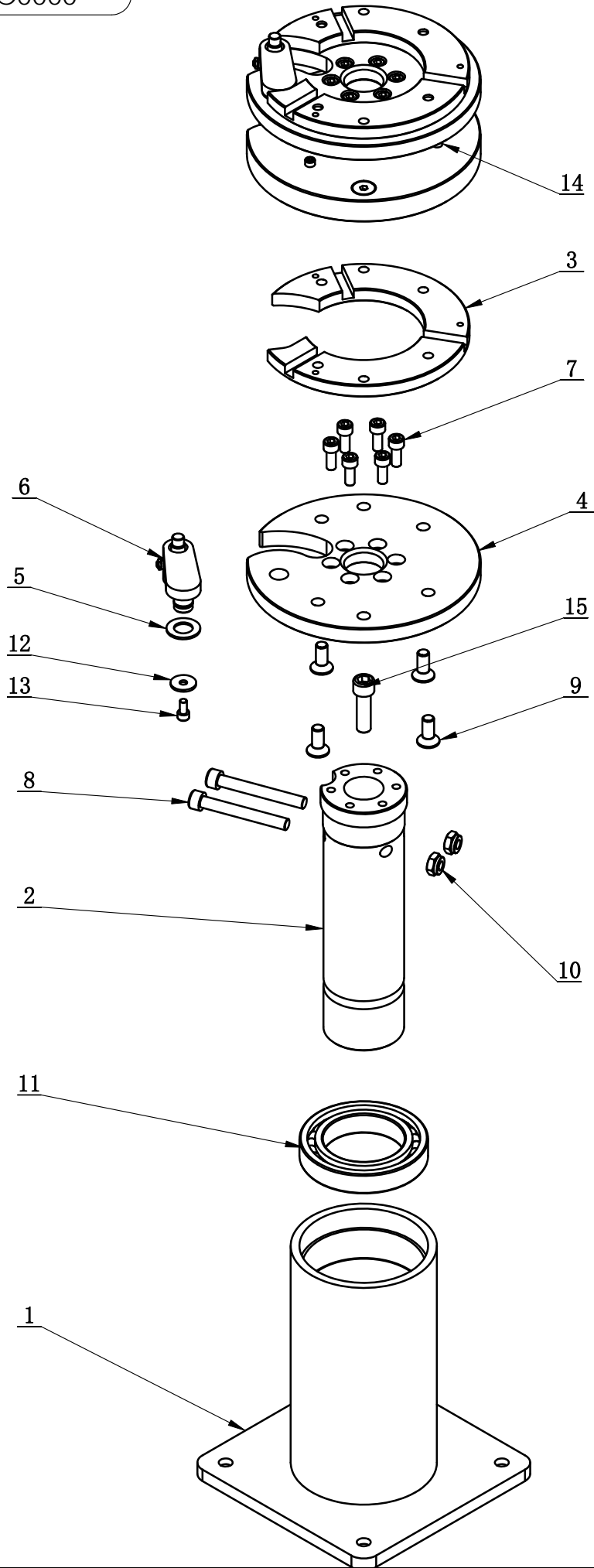
ITEM	PART. No	DESCRIPTION.	QT. Y
1	C-A2-1123000	FIX RACK	1
2	C-A2-1124000	GEARBOX ASSEMBLY	1
3	C-A2-1150001	DOUBLE SCREW-BOLT	2
4	C-A2-1150002	DOUBLE SCREW-BOLT	2
5	GB5782-M10X200	BOLT M10X200	2
6	GB5781-M10×60	HEXANGULAR BOLT	1
7	GB95-10	FLAT WASHER	10
8	GB93-10	STANDARD SPRING WASHER	12
9	GB41- M10	HEXANGULAR NUT	15
10	GB96. 2-10	LARGE WASHER C GRADE	6
11	GB6172. 1-M10	HEXANGULAR THIN NUT	4
12	GB923-M10	CAP NUT	4



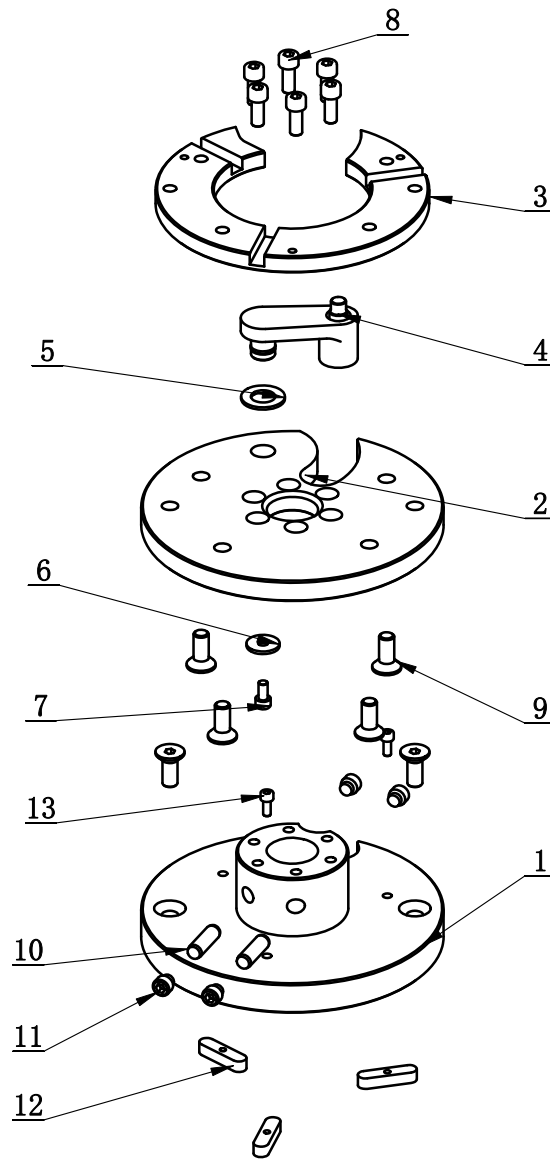
ITEM	PART. No	DESCRIPTION.	QT. Y
1	C-A1-1124001	WORM WHEEL SHAFT	1
2	C-A1-1124002	GEARBOX TOP	1
3	CT-J-0000003	WORM	1
4	CT-J-0000004	WORM ROD	1
5	CT-J-0000005	GEARBOX TOP	1
6	CT-J-0000008	BELT PULLEY	1
7	CT-J-0100000	CAP	1
8	FB25-40 GB13871.92	SEALED RING	1
9	GB276-6208	DEEP GROOVE BALL BEARINGS	1
10	GB276-6010	DEEP GROOVE BALL BEARINGS	1
11	GB1096-12×8×56	COMMON FLAT KEY	1
12	GB297-30205	CYLINDRICAL BALL BEARING	2
13	GB119.2-8×20	CYLINDRICAL PIN	2
14	GB1099.1-6×9×22	COMMON SEMI-CIRCULAR KEY	1
15	GB5781-M8×20	HEXANGULAR BOLT	1
16	GB96.2-8	LARGE WASHER C GRADE	1
17	GB70.1-M8×30	INNER HEXA CYLINDRICAL SCREW	5
18	GB41-M8	HEXANGULAR NUT	5
19	GB894.1-50	SHAFT ELATIC BIG RETAINING RING A-TYPE	1
20	C-A1-1124003	INTERVAL RING	1
21	TC-10-1400013	BOLT	1
22	GB3452.1-13.2×2.65	HYDRAULIC-PNEUMATIC RUBBER O-RING G TYPE	1

C-A2-11C0000

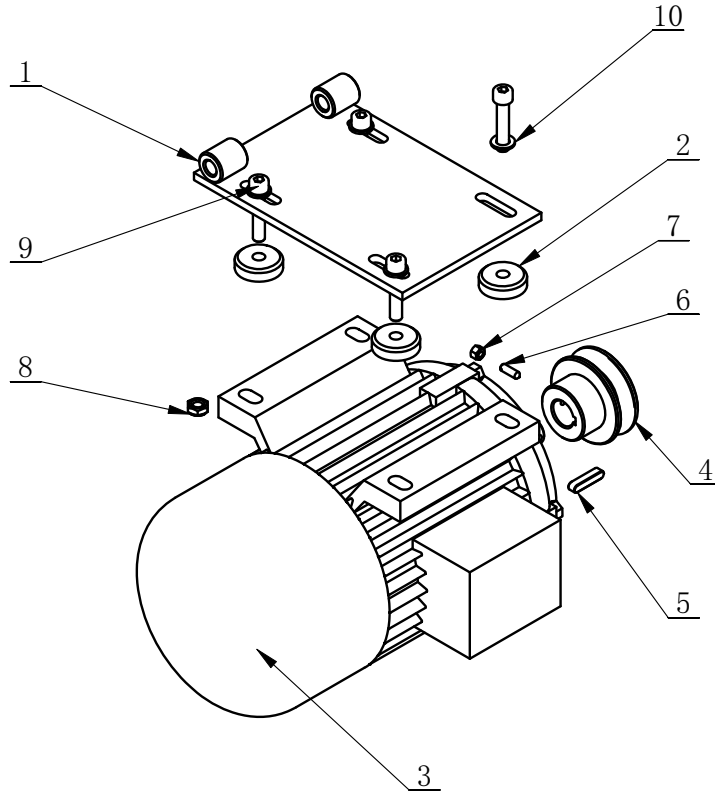
REVISION A-01



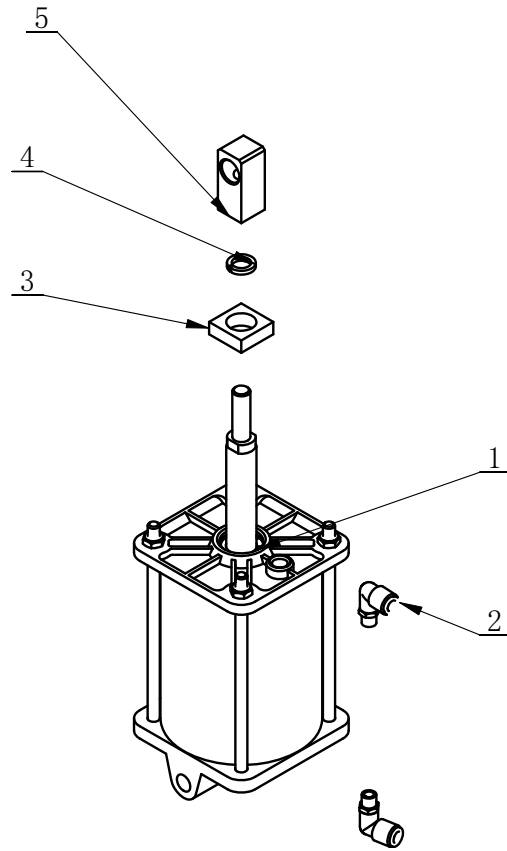
ITEM	PART. No	DESCRIPTION.	QT. Y
1	C-A2-11C1000	BASE	1
2	C-A2-11C2000	SHAFT	1
3	C-A2-1160001A	FLANGE	1
4	C-A2-1160003A	PALLET	1
5	C-A2-1160004	WASHER	1
6	C-A2-1190000	FORK	1
7	GB70. 1-M8×20	INNER HEXA CYLINDRICAL SCREW	6
8	GB70. 1-M10×80	INNER HEXA CYLINDRICAL SCREW	2
9	GB70. 3-M10×25	INNER COUNTERSUNK SCREW	4
10	GB889. 1-M10	LOCK NUT	2
11	GB276-6014	DEEP GROOVE BALL BEARINGS	1
12	GB5287-6	EXTREM LARGE WASHER C-GRADE	1
13	GB70. 1-M6×12	INNER HEXA CYLINDRICAL SCREW	1
14	C-A2-11C0100	SHAFT	1
15	GB70. 1-M12×40	INNER HEXA CYLINDRICAL SCREW	1



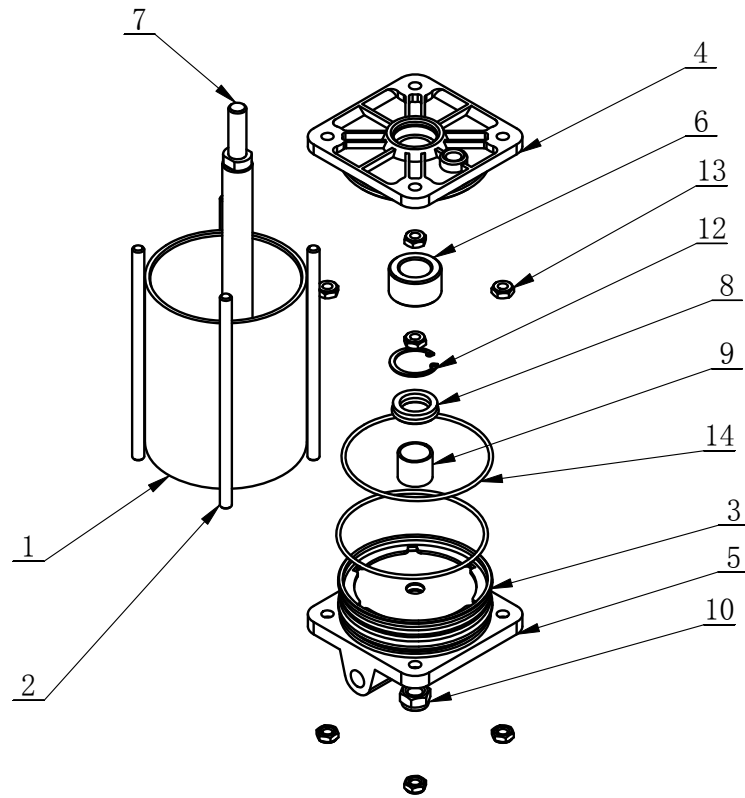
ITEM	PART. No	DESCRIPTION.	QT. Y
1	C-A2-11C3000	RISE BASE	1
2	C-A2-1160003A	PALLET	1
3	C-A2-1160001A	FLANGE	1
4	C-A2-1190000	FORK	1
5	C-A2-1160004	WASHER	1
6	GB5287-6	EXTREM LARGE WASHER C-GRADE	1
7	GB70. 1-M6×12	INNER HEXA CYLINDRICAL SCREW	1
8	GB70. 1-M8×20	INNER HEXA CYLINDRICAL SCREW	6
9	GB70. 3-M10×25	INNER COUNTERSUNK SCREW	6
10	GB119. 1-10×32	CYLINDRICAL PIN	2
11	GB79-M12×12	INNER HEXA CYLINDRICAL TERMINUS SET SCREW	4
12	GB1097-10×40	FLAT KEY	3
13	GB70. 1-M5×12	INNER HEXA CYLINDRICAL SCREW	3



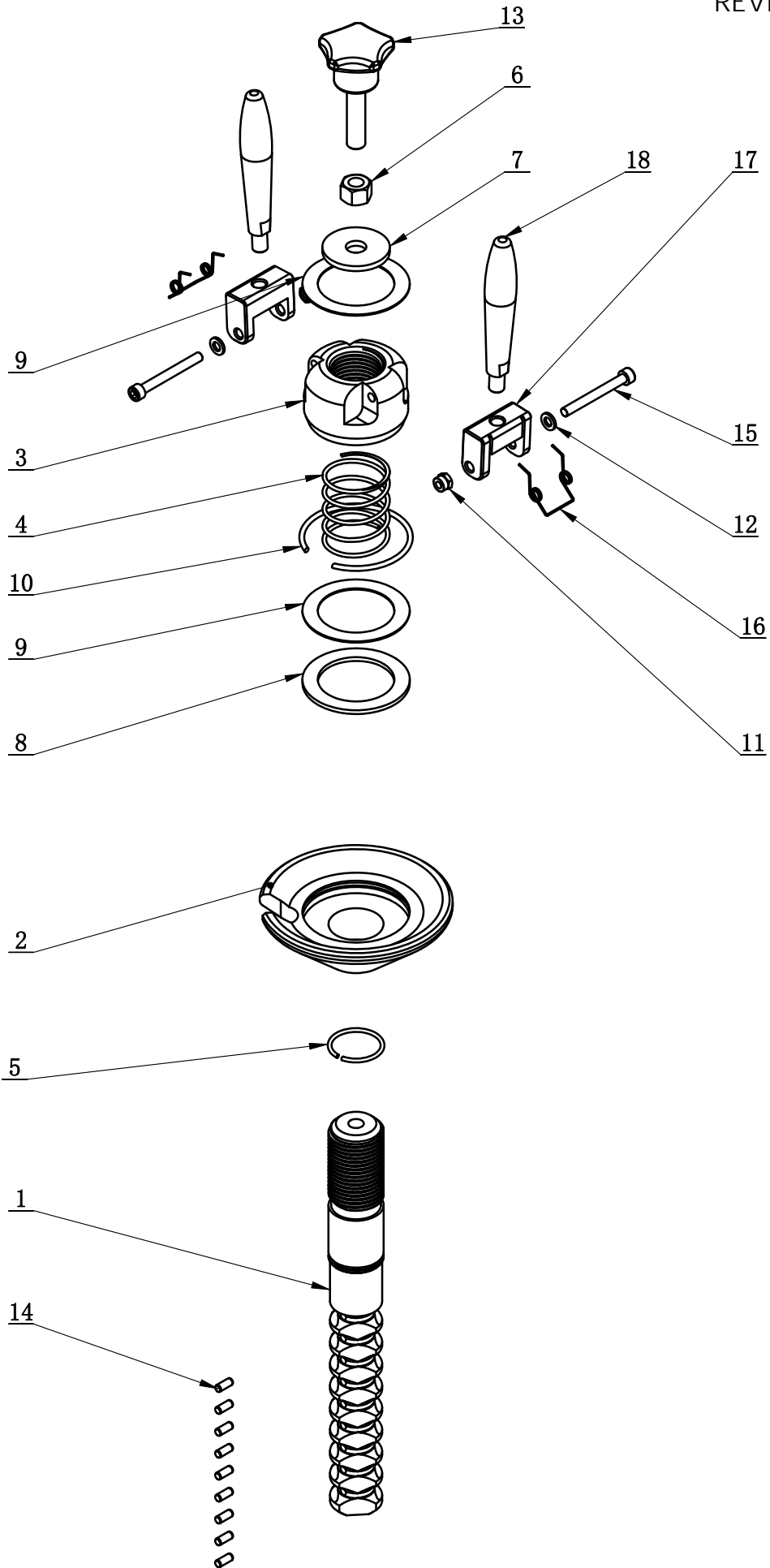
ITEM	PART. No	DESCRIPTION.	QT. Y
1	C-A1-1150000	MOTOR BEND PLATE	1
2	CT-DJ-0000002	RUBBER WASHER	4
3	CT-DJ-0044123	MOTOR	1
4	CT-DJ-0000005	MOTOR BELT PULLEY	1
5	GB1096-2003 6×6×28	COMMON FLAT KEY	1
6	GB71-1985 M5×16	SLOTTED CONIC HEAD SET SCREW	1
7	GB41-M5	HEXANGULAR NUT	1
8	GB889. 1-M8	LOCK NUT	4
9	GB70. 1-M8×40	INNER HEXA CYLINDRICAL SCREW	4
10	GB95-8	FLAT WASHER	8



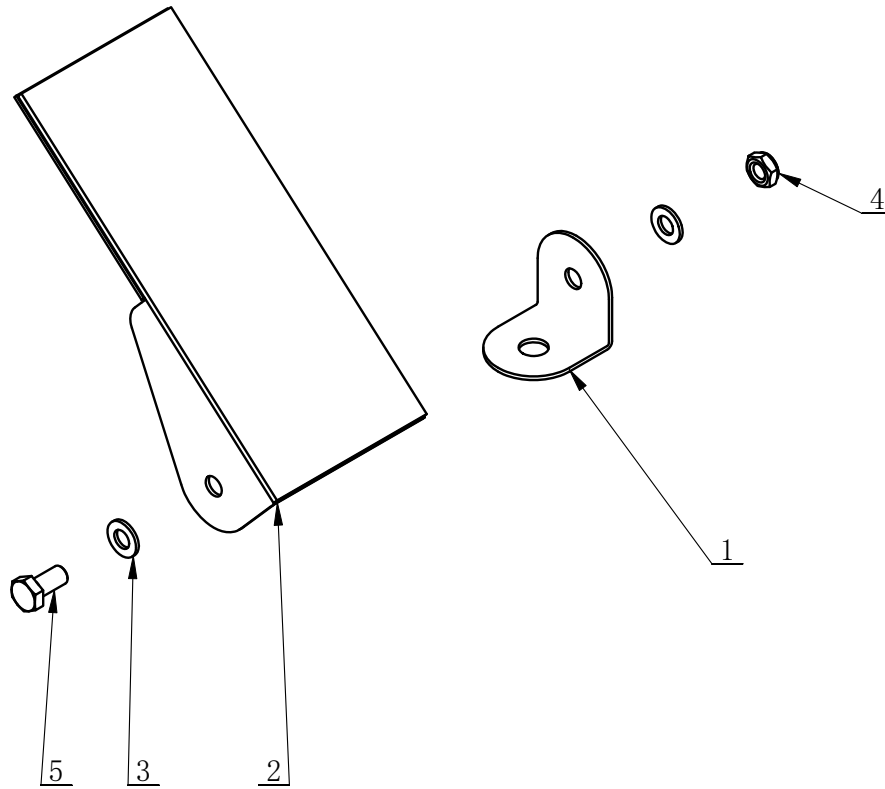
ITEM	PART. No	DESCRIPTION.	QT. Y
1	C-A2-1140000	LIFTING CYLINDER ASSEMBLY	1
2	FPL 8-01	INSERT ELBOW $\Phi 8$, R1/8	2
3	H-12-1000001	FELT WASHER	1
4	GB93-12	STANDART SPRING WASHER	1
5	CT-XD-1000004	SHAFT CONNECTOR	1



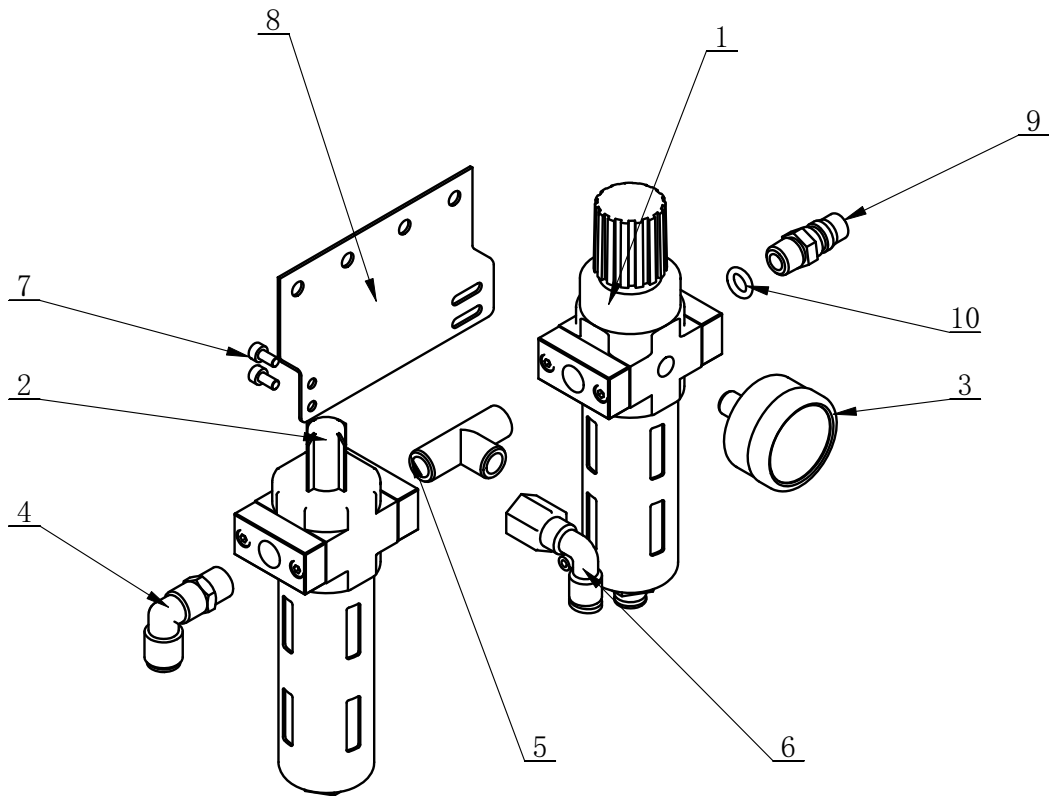
ITEM	PART. No	DESCRIPTION.	部件中/数量
1	C-A2-1140001	CYLINDER BODY	1
2	C-A2-1140002	BOLT	4
3	H-10-1500001	PISTON	1
4	H-10-1500002	CYLINDER FRONT COVER	1
5	H-10-1500005	CYLINDER BEAR COVER	1
6	CT-XD-2000001	SPACER	1
7	CT-XD-2000002	PISTON ROD	1
8	CT-Y-0160007	SEAL-ROD, CYLNDR BEARING-SLIDE	1
9	JH1 2020		1
10	GB889. 1-M12	LOCK NUT	1
11	GB95-12	FLAT WASHER	1
12	GB893. 1-30	ELASTIC RETAINING RING A- TYPE	1
13	GB889. 1-M8	LOCK NUT	8
14	GB3452. 1-95×2. 65-G	O-RING	2



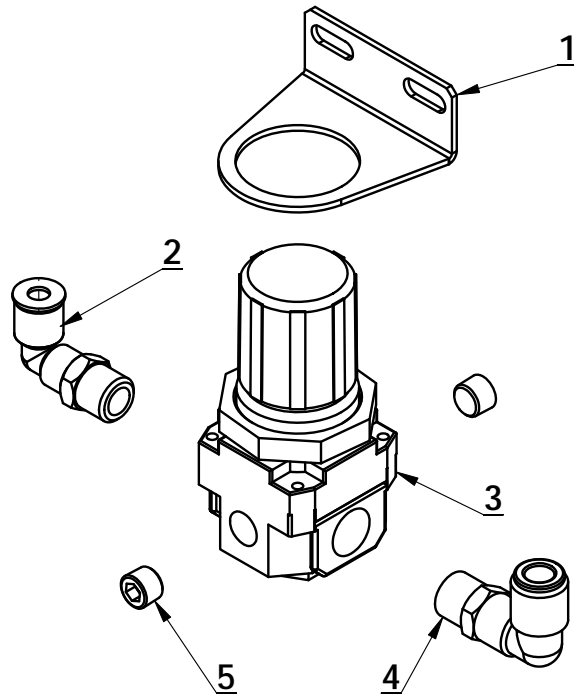
ITEM	PART. No	DESCRIPTION.	QT. Y
1	C-A1-11C0008	SCREW	1
2	C-A1-11C0002	CONE	1
3	C-A1-11C0003	PARTY TOOTH NUM	1
4	C-A1-11C0004	IDLER STRAIN SPPING	1
5	GB895. 2-35	SHAFT STEEL WIRE RETAINING RING	1
6	GB41-M12	HEXANGULAR NUT	1
7	GB5287-12	EXTREM LARGE WASHER C-GRADE	1
8	GB4650-AXK5070	A THRUST NEEDLE CAGE AND COMPONENTS	1
9	GB4650-AS5070	THRUST WASHER	2
10	GB895. 1-70	STEEL WIRE RETAINING RING	1
11	GB889. 1-M6	LOCK NUT	2
12	GB95-6	FLAT WASHER	2
13	C-A1-11C0006	THE STAR HANDLE M10-20	1
14	GB119. 2-5×12	CYLINDRICAL PIN	9
15	GB70. 1-M6×55	INNER HEXA CYLINDRICAL SCREW	2
16	C-A2-1120007A	SPRING	2
17	C-A2-1120004	BASE	2
18	C-A2-1120005	HANDLE	2



ITEM	PART. No	DESCRIPTION.	QT. Y
1	C-A2-1A00001	RACK	1
2	C-A2-1A10000	MIRROR	1
3	GB97. 1-8	FLAT WASHER A GRADE	2
4	GB889. 1-M8	LOCK NUT	1
5	GB5781-M8×16	HEXANGULAR BOLT	1



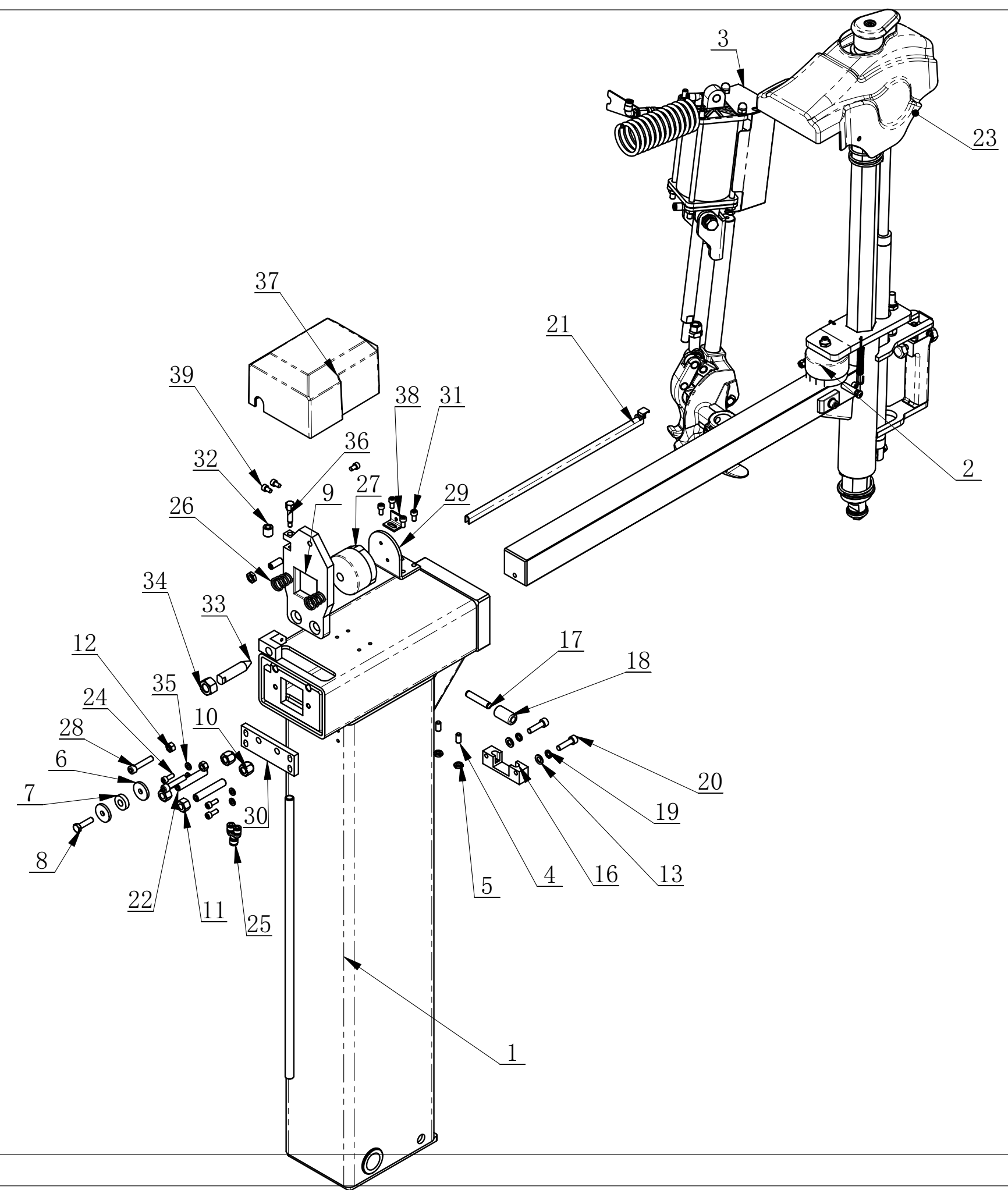
ITEM	PART. No	DESCRIPTION.	QT. Y
1	CT-F-2000010	PRESSURE ADJUST VALVE AND WATER CUP	1
2	CT-F-2000020	OIL CUP	1
3	CT-F-2000003	PRESSURE GAUGE	1
4	FPL 8-02	INSERT ELBOW $\Phi 8$, R1/4	1
5	PEH 02-02	FEMALE UNION TEE	1
6	FPLF8-02	INSERT ELBOW $\phi 8$, R1/4	1
7	GB70. 1-M4 \times 8	INNER HEXA CYLINDRICAL SCREW	4
8	CT-F-2000040	AIR REGULATOR BRACKET	1
9	C-54-8000011	AIR SUPPLY CONNECTOR	1
10	GB3452. 1-8 \times 2. 65-A	O-RING G TYPE	1



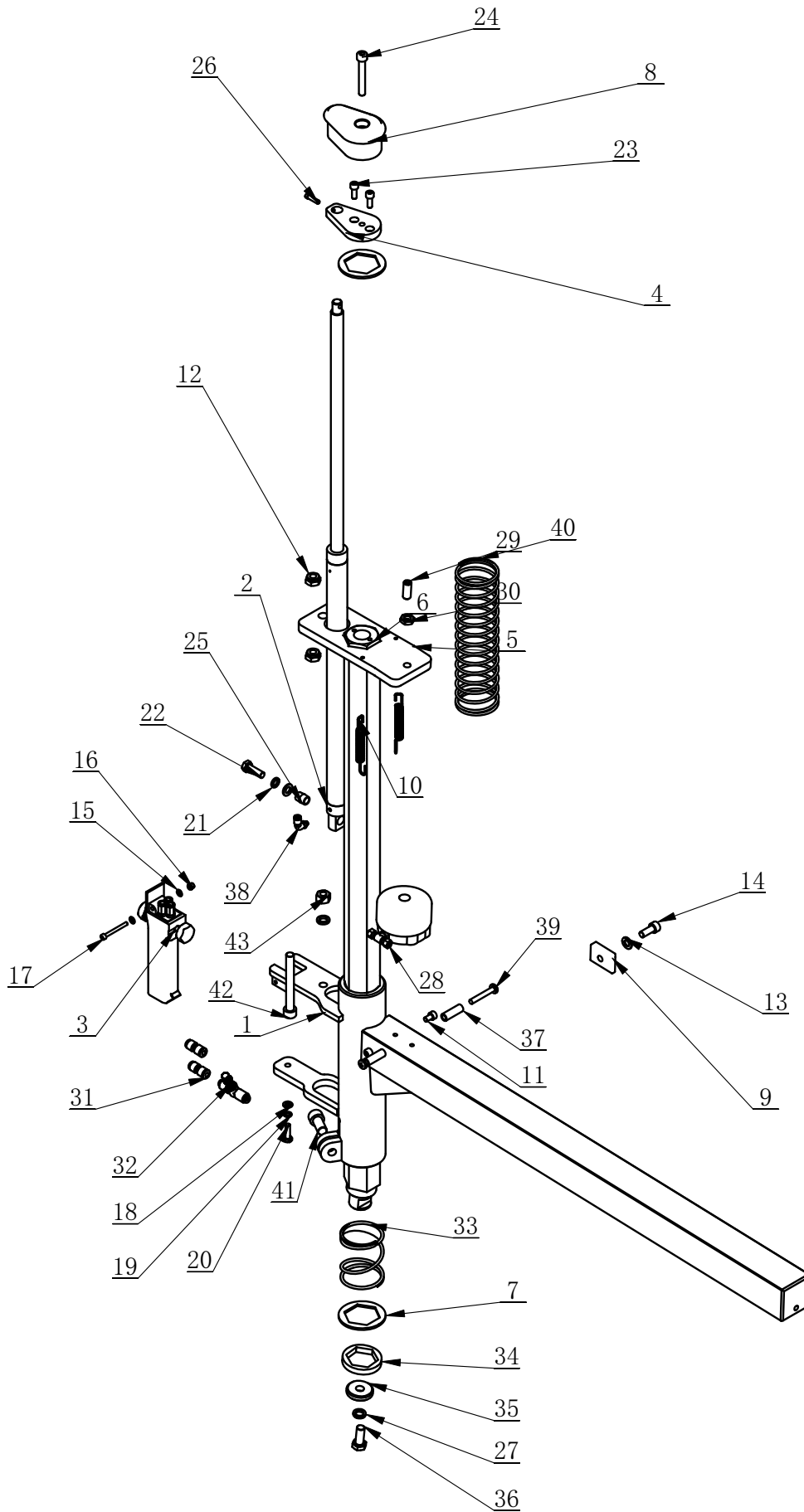
ITEM	PART. No	DESCRIPTION.	QT. Y
1	H-40-1600002	VALVE HOLDER	1
2	FPL 6-02	MALE ELBOW	1
3	H-40-1600001	PRESSURE ADJUST VALVE	1
4	FPL 8-02	INSERT ELBOW $\Phi 8$, R1/4	1
5	FPS 01	PLUG MAIN BLOCK	2

REVISION A-01

C-A2-150000FJ

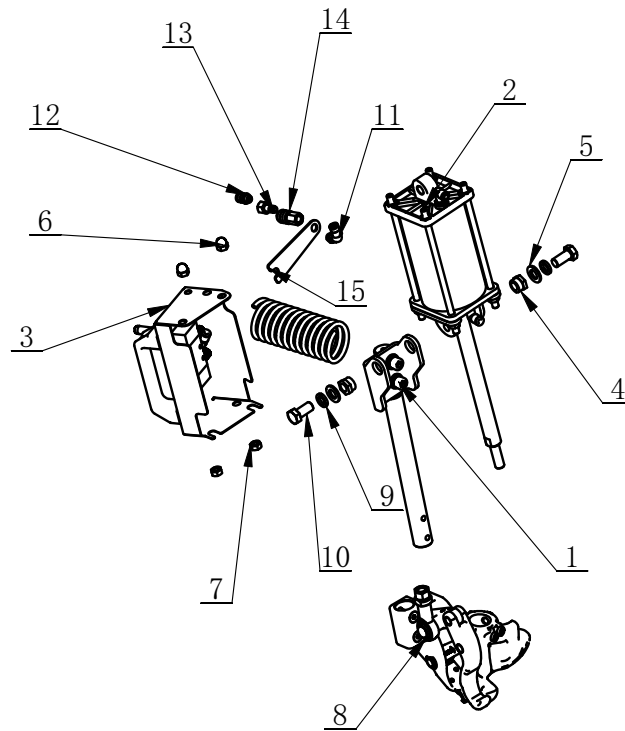


ITEM	PART. No	DESCRIPTION.	QT. Y
1	C-A2-1510000	POST	1
2	C-A2-1520000	HORIZONTAL ARM ASSEMBLY	1
3	C-A2-1550000	AUTOMATIC HOOK	1
4	GB77-M8×16	INNER HEXA FLAT TERMINUS SET SCREW	2
5	GB6172.1-M8	HEXANGULAR THIN NUT	2
6	C-77-1000003	CUSHION	2
7	C-77-1000004	RUBBER WASHER	1
8	GB5783-M8×30	HEXANGULAR BOLT	1
9	C-A2-1500005	LOCK BOARD	1
10	C-A2-1500004	NUT	2
11	GB41-M12	HEXANGULAR NUT	2
12	GB41-M8	HEXANGULAR NUT	2
13	GB95-8	FLAT WASHER	2
14	C-71-1000029	INNER HEXA FLAT TERMINUS SET SCREW	1
15	GB6173-M10×1.0	HEXA THIN NUT	1
16	C-7C-1000004	ROLLER BASE	1
17	GB119.2-10×50	CYLINDRICAL PIN	1
18	C-7C-1000005	TELEFLEX	1
19	GB93-8	STANDARD SPRING WASHER	2
20	GB70.1-M8×30	INNER HEXA CYLINDRICAL SCREW	2
21	C-8A-1000002	AIR HOSE CHUTE	1
22	GB77-M12×65	INNER HEXA FLAT TERMINUS SET SCREW	2
23	C-A2-1000012	COVER	1
24	GB70.1-M6×16	INNER HEXA CYLINDRICAL SCREW	4
25	FPY-6	Y type JOIN 6	1
26	C-80-1000009	PRESS SPRING	2
27	C-71-1500000	LOCKING CYLINDER ASSY	1
28	GB70.1-M8×40	INNER HEXA CYLINDRICAL SCREW	2
29	C-A2-1560000	BASE PLATE	1
30	C-A2-1500010	NUT	1
31	GB70.1-M6×12	INNER HEXA CYLINDRICAL SCREW	4
32	C-A2-1500008	ROLLER	1
33	C-A2-1500011	SCREW	1
34	GB6170-M16	HEXANGULAR NUT 1-TYPE	1
35	GB95-6	FLAT WASHER	4
36	C-A2-1500012	SCREW	1
37	C-A2-1500013	PROTECTIVE COVER	1
38	C-A2-1500014	LINK PLATE	1
39	GB70.1-M6×10	INNER HEXA CYLINDRICAL SCREW	3



C-A2-1520000FJ

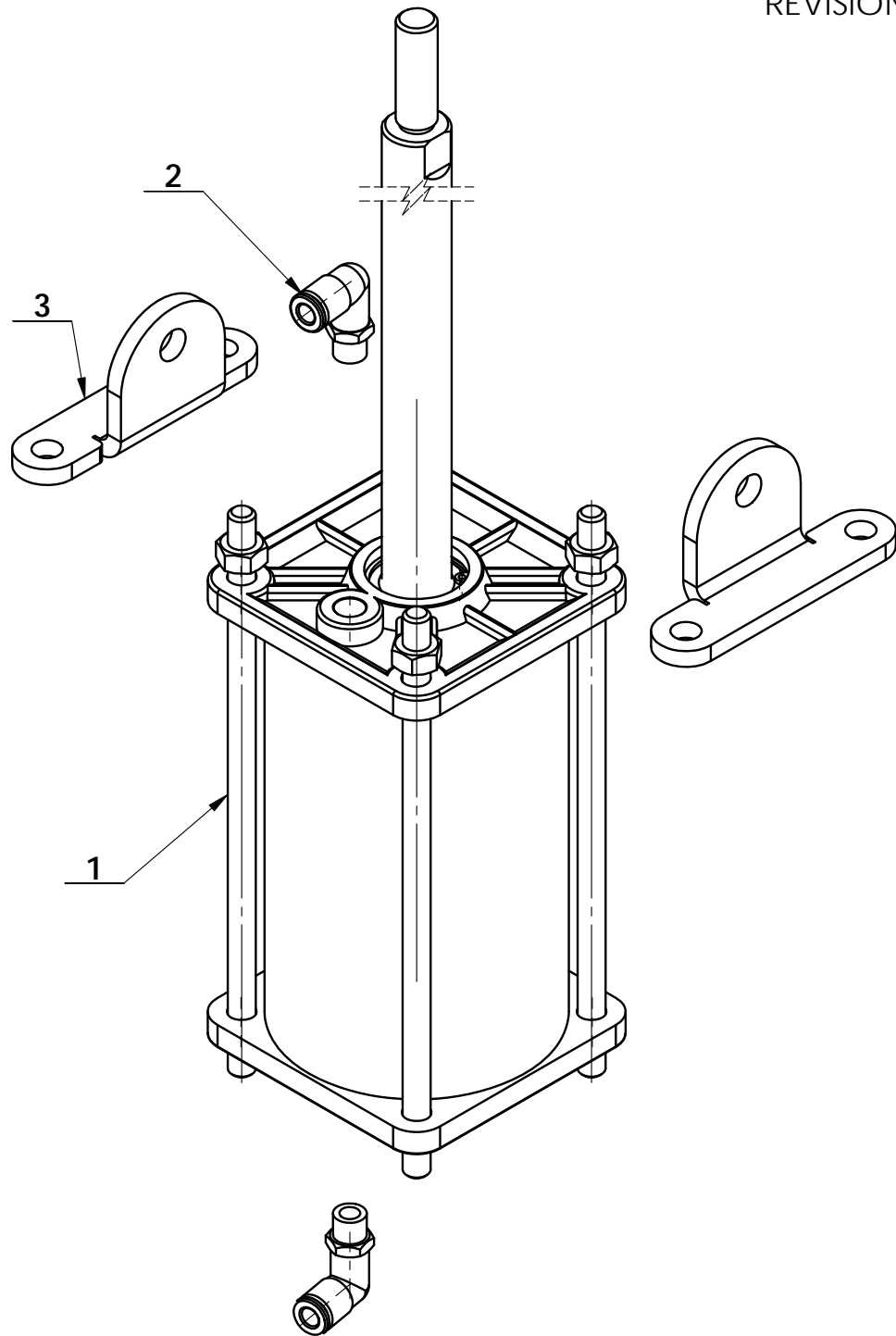
ITEM	PART. No	DESCRIPTION.	QT. Y
1	C-A2-1521000	HORIZONTAL ARM WELDING	1
2	C-A2-1320000	SPRING	1
3	C-8A-1330000	HANDLE VALE	1
4	C-8A-1300002	CYLINDER CONNET PLATE	1
5	C-8A-1300006	HEXAGON LOCK PLATE	1
6	C-A2-1300004	HEXANGULAR SHAFT	1
7	C-8A-1300003	RETAINING WASHER	2
8	C-8A-1300001	VERTICAL SHAFT COVER	1
9	C-71-1300005	POSITIONING BLOCK	1
10	C-71-1300004	SPRING	2
11	GB70. 1-M6×10	INNER HEXA CYLINDRICAL SCREW	2
12	GB889. 1-M10	LOCK NUT	2
13	GB95-8	FLAT WASHER	2
14	GB70. 1-M8×20	INNER HEXA CYLINDRICAL SCREW	1
15	GB95-4	FLAT WASHER	2
16	GB889. 1-M4	1-TYPE PREVAILING TORQUE TYPE HEXAGON LOCK NUT	1
17	GB70. 1-M4×40	INNER HEXA CYLINDRICAL SCREW	1
18	GB95-6	FLAT WASHER	1
19	GB93-6	STANDARD SPRING WASHER	1
20	GB5783-M6×20	HEXANGULAR BOLT	1
21	GB93-8	STANDARD SPRING WASHER	1
22	GB5783-M8×25	HEXANGULAR BOLT	1
23	GB70. 1-M6×16	INNER HEXA CYLINDRICAL SCREW	2
24	GB70. 1-M8×55	INNER HEXA CYLINDRICAL SCREW	1
25	C-8A-1300008	ADJUST RING	1
26	C-8A-1420011	ROLLER BOLT	1
27	GB93-10	STANDARD SPRING WASHER	2
28	C-71-1320000	LOCKING CYLINDER ASSY	1
29	C-71-1000029	INNER HEXA FLAT TERMINUS SET SCREW	1
30	GB6173-M10×1.0	HEXA THIN NUT	1
31	FPG 6-4	DIFFERENT DIA OF UNION STRAIGHT	2
32	FPA-4	SPEED ADJUST VALVE	1
33	C-54-1300012	VERTICAL SHAFT SPRING	1
34	C-54-1300007	SHOCK ABSORBER WASHER	1
35	C-54-1300008	PRESS WASHER	1
36	GB5783-M10×25	HEXANGULAR BOLT	1
37	C-77-1000006	PROTECTIVE HOOD LOCK BUSHING	2
38	6522 4-M5	MALE ELBOW	1
39	GB818-M6×40-H	CROSS PANHEAD SCREW	2
40	C-A2-1520001	VERTICAL SHAFT SPRING	1
41	GB70. 1-M12×25	INNER HEXA CYLINDRICAL SCREW	1
42	GB70. 1-M10×85	INNER HEXA CYLINDRICAL SCREW	1
43	GB41- M10	HEXANGULAR NUT	1



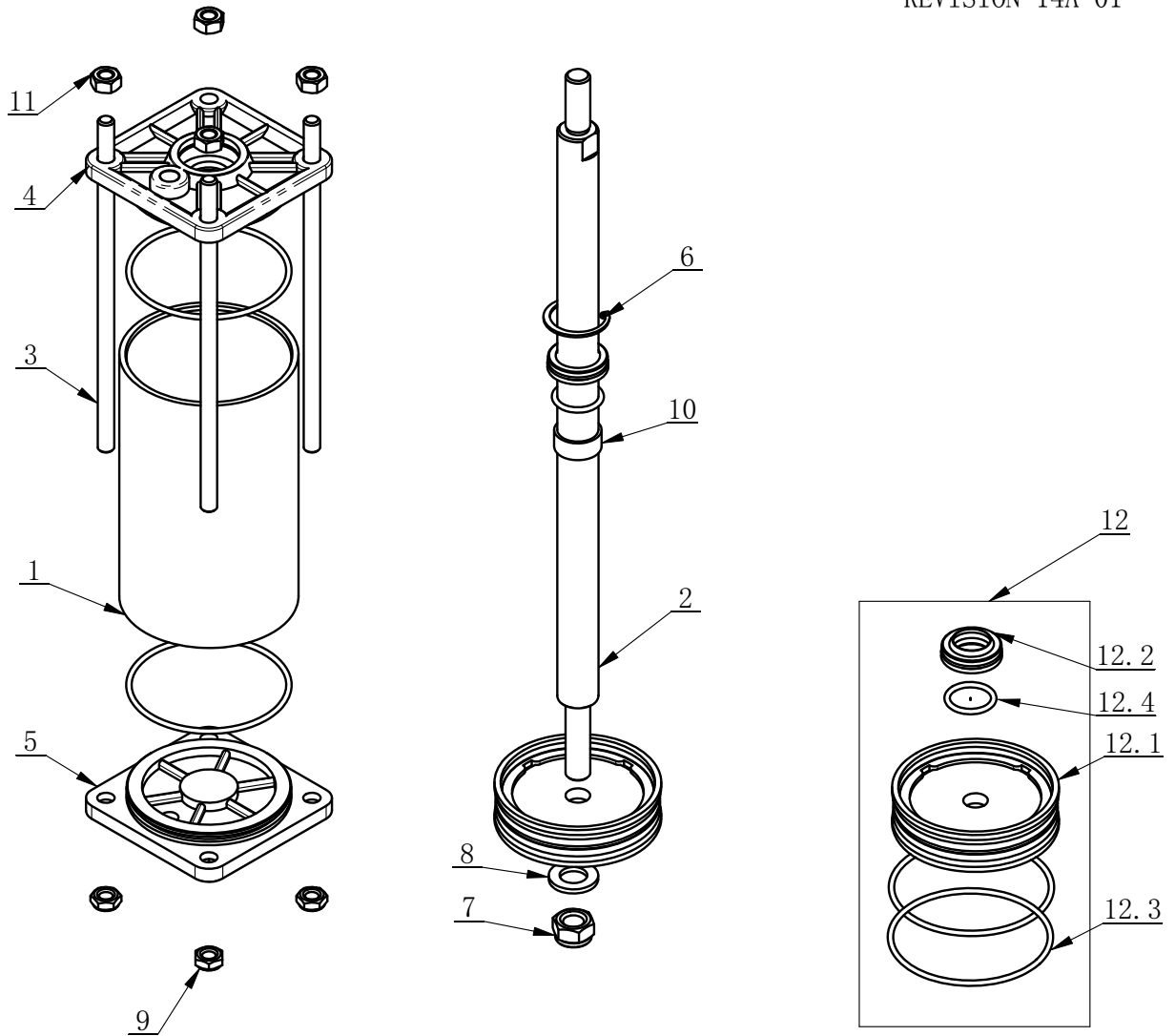
ITEM	PART. No	DESCRIPTION.	QT. Y
1	C-8A-1523000	RACK	1
2	C-8A-1524000	CYLINDER	1
3	C-A2-1551000	CONTROL VALVE	1
4	C-8A-1400001	BUSHING	2
5	GB95-12	FLAT WASHER	2
6	GB923-M8	CAP NUT	2
7	GB6170-M8	HEXANGULAR NUT 1-TYPE	2
8	C-8A-1511000	HOOK ASM	1
9	GB93-12	STANDARD SPRING WASHER	2
10	GB5781-M12×25	HEXANGULAR BOLT	2
11	6522 6-01	RECTANGULAR PIPE UNION	1
12	6512 6-01	QUICK INSERT PIPE UNION	1
13	5350-01	QUICK COUPLING	1
14	5053-01	QUICK COUPLING	1
15	C-8A-1400003	SUPPORTING PLATE	1

C-8A-1524000

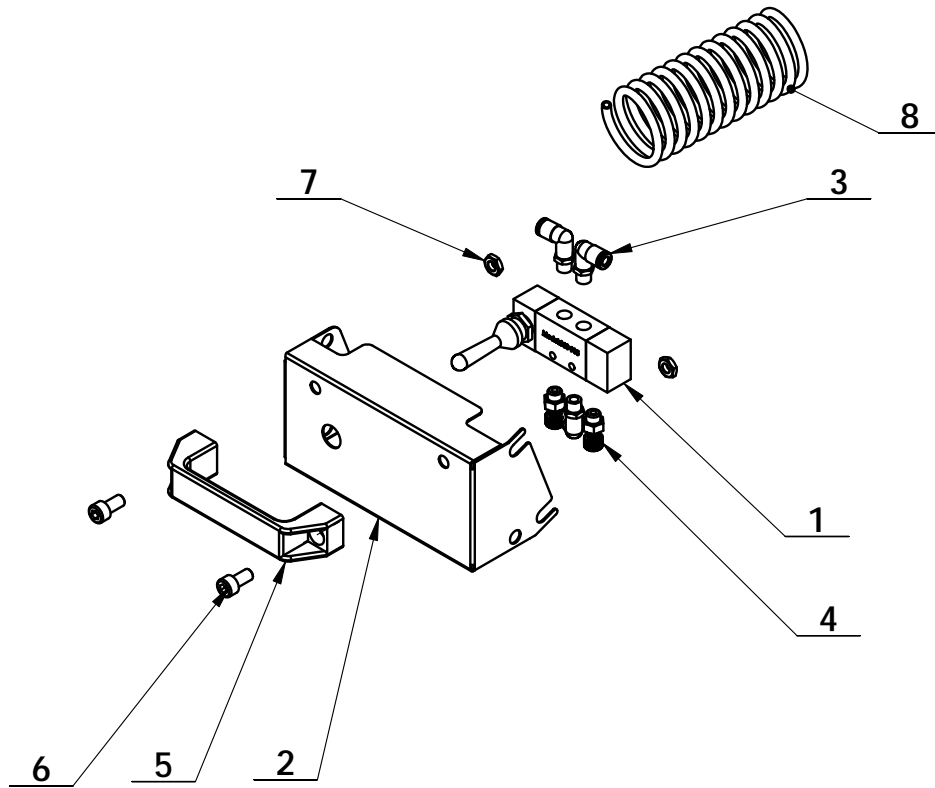
REVISION A-01



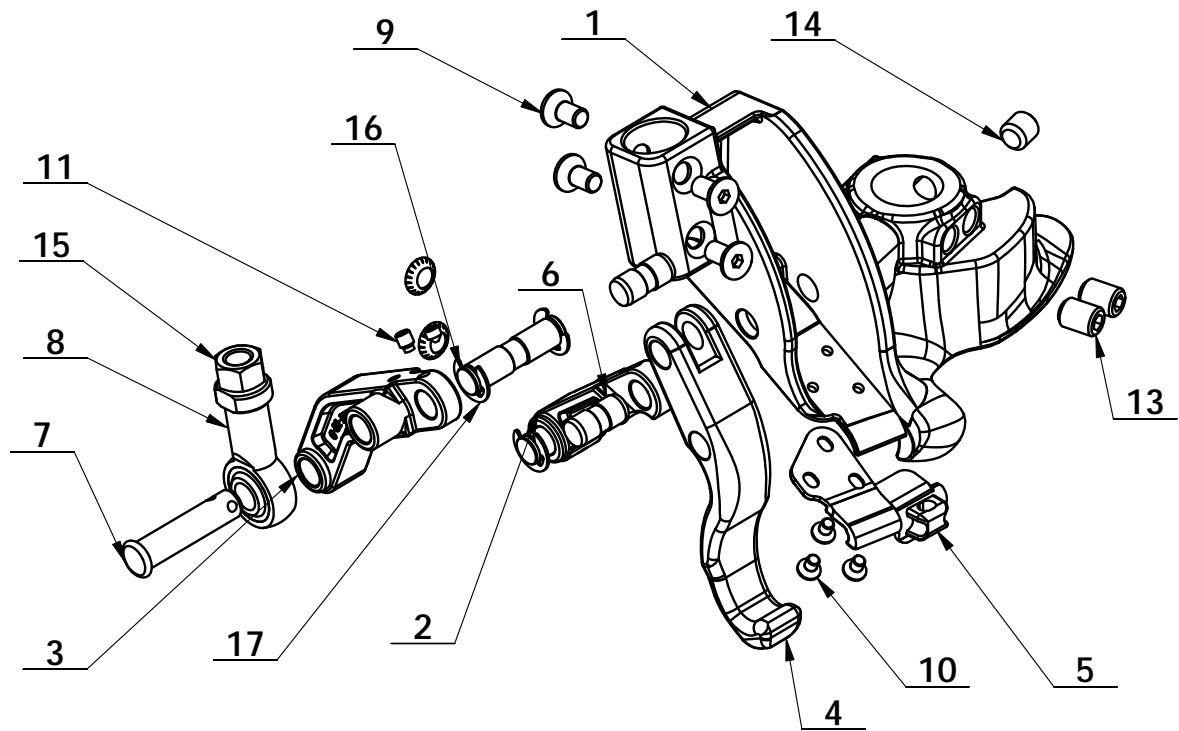
ITEM	PART. No	DESCRIPTION.	QT. Y
1	C-8A-1524100	PULL-OUT CYLINDER	1
2	FPL 6-01	MALE ELBOW	2
3	C-8A-1524002	CONNECT PLATE	2



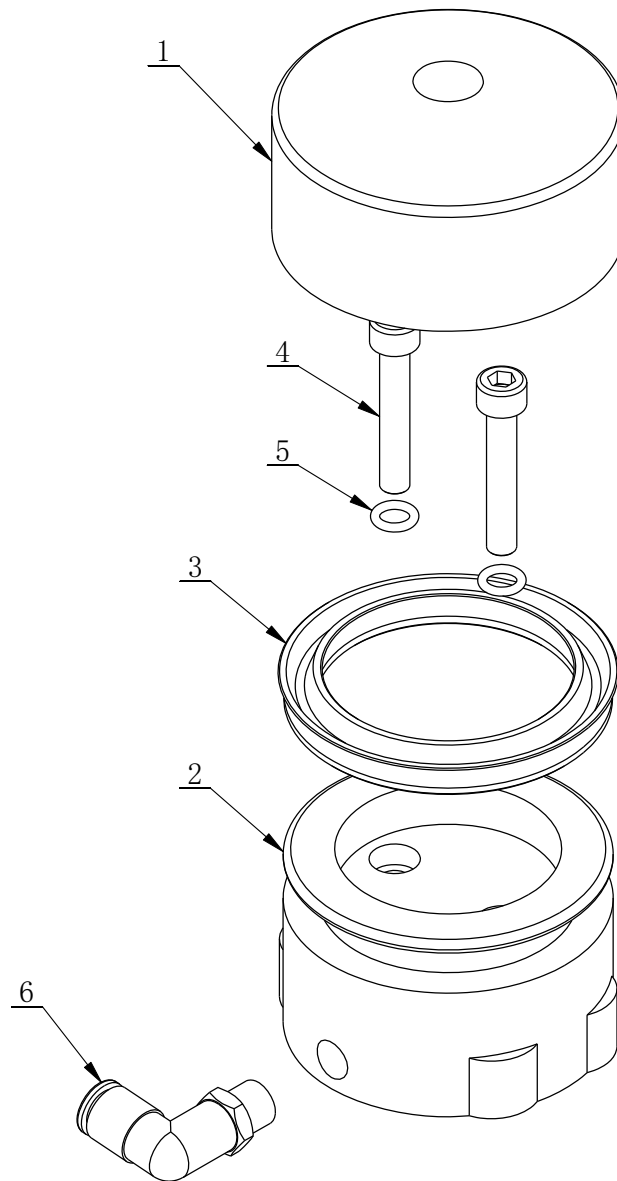
ITEM	PART. No	DESCRIPTION.	QT. Y	REMARKS	Number
1	C-8A-1411001	CYLINDER BODY	1		
2	C-8A-1524001	PISTON ROD	1		
3	C-8A-1411003	BOLT	4		
4	CT-Y-6600001	CYLINDER FRONT COVER	1		6000045
5	CT-Y-6600005	CAP-BASE, CYLNDR	1		6000046
6	GB893. 1-30	RING	1		
7	GB889. 1-M12	LOCK NUT	1		
8	GB95-12	FLAT WASHER	1		
9	GB889. 1-M8	LOCK NUT	4		
10	JH1 2010	BEARING-SLIDE	1		6000008
11	GB6170-M8	NUT	4		
12	C-8A-1524110	CYCLINDER SEALING PARTS ASSEMBLY	1		
12.1	CT-Y-6610000	PISTON	1		6000047
12.2	CT-Y-0160007	DUSTPROOF SEALING RING	1		
12.3	GB3452. 1-75×2. 65	O-RING	2		
12.4	GB3452. 1-20×2. 65-G	O-RING	1		



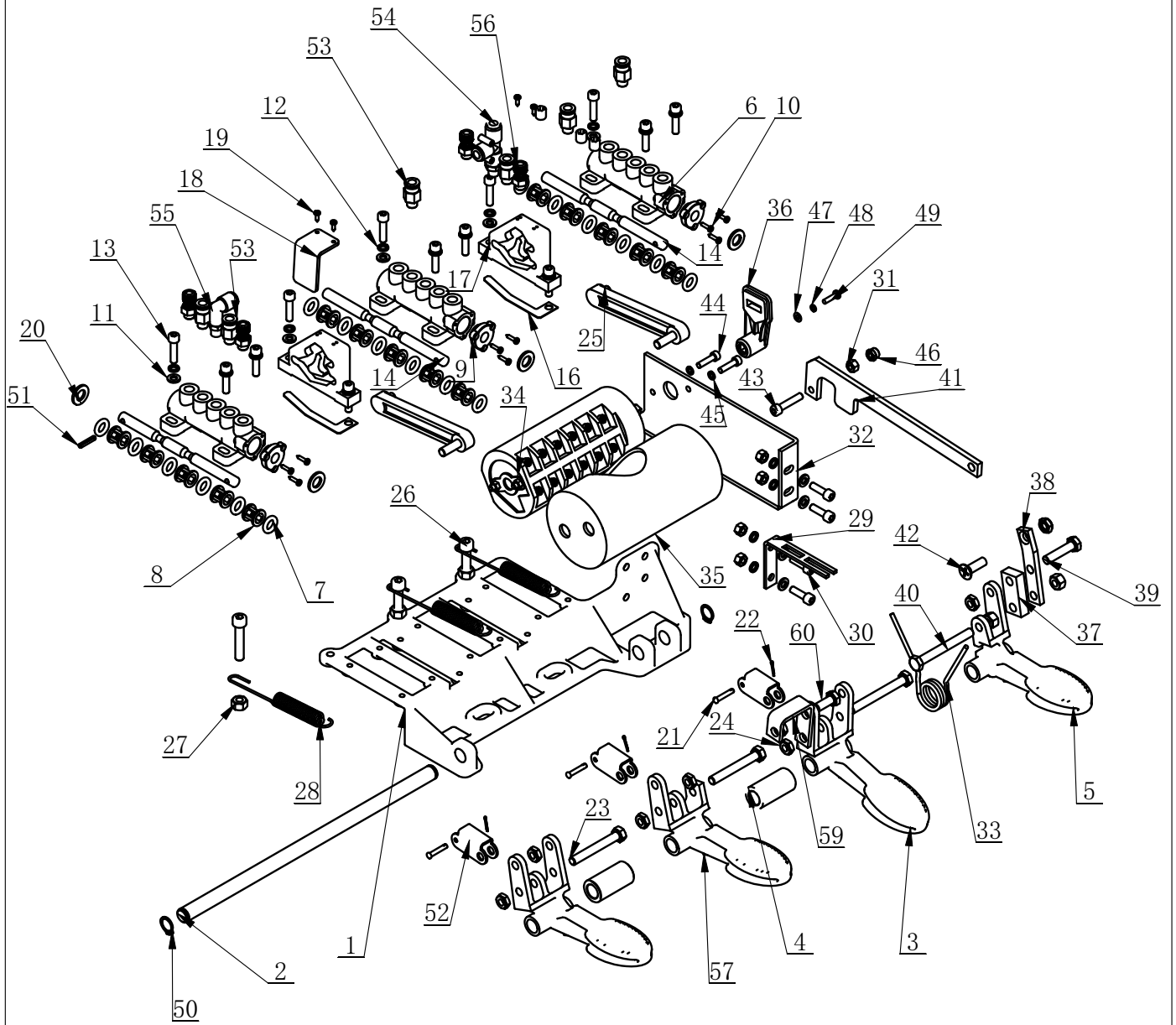
ITEM	PART. No	DESCRIPTION.	QT. Y
1	C-8A-1430001	CONTROL VALVE	1
2	C-8A-1430007	HANDLE VALVE COVER	1
3	FPL 6-01	MALE ELBOW	3
4	FJSR 01	BRASS REGULATOR SILENCER	2
5	C-8A-1430003	SQUARE HANDLE	1
6	GB70. 1-M8×16	INNER HEXA CYLINDRICAL SCREW	2
7	GB6172. 1-M8	HEXANGULAR THIN NUT	2
8	C-8A-1430004	PU HELIX TUBE $\Phi 6 \times 200$	1



ITEM	PART. No	DESCRIPTION.	QT. Y
1	C-8A-1510001	DISMOUNTING TOOL	1
2	C-8A-1510006	LINK POLE	1
3	C-8A-1510008	DEMOUNTING HOOK	1
4	C-8A-1510007	LINK POLE	1
5	CT-XD-1000007	BEARING JOINTS	1
6	C-8A-1510012	HOOK CUSHION	1
7	GB70. 3-M8×16	INNER COUNTERSUNK SCREW	4
8	C-8A-1510019	SHORT PIN SHAFT	2
9	GB70. 3-M5×8	INNER COUNTERSUNK SCREW	3
10	GB79-M6×8	SCREW	1
11	C-8A-1510014	CYLINDRICAL PIN	2
12	GB78-M6×6	INNER HEXA CONIC TERMINUS SET SCREW	2
13	GB77-M12×16	INNER HEXA FLAT TERMINUS SET SCREW	2
14	GB77-M12×12	INNER HEXA FLAT TERMINUS SET SCREW	1
15	C-8A-1510017	PIN SHAFT	1
16	GB6170-M12	HEXANGULAR NUT 1-TYPE	1
17	GB896-9	SLOTTED RETAINING RING	4
18	GB956. 2-8	CONIC SAW TOOTH LOCK WASHER	2



ITEM	PART. No	DESCRIPTION.	QT. Y
1	C-71-1320001	LOCK TURNTABLE CYLINDER HEAD	1
2	C-71-1320002	LOCK CYLINDER BODY	1
3	C-71-1320003	Y-RING	1
4	GB70. 1-M6×35	INNER HEXA CYLINDRICAL SCREW	2
5	GB3452. 1-6×1.8	HYDRAULIC-PNEUMATIC RUBBER O-RING G TYPE	2
6	FPL 6-01	MALE ELBOW	1

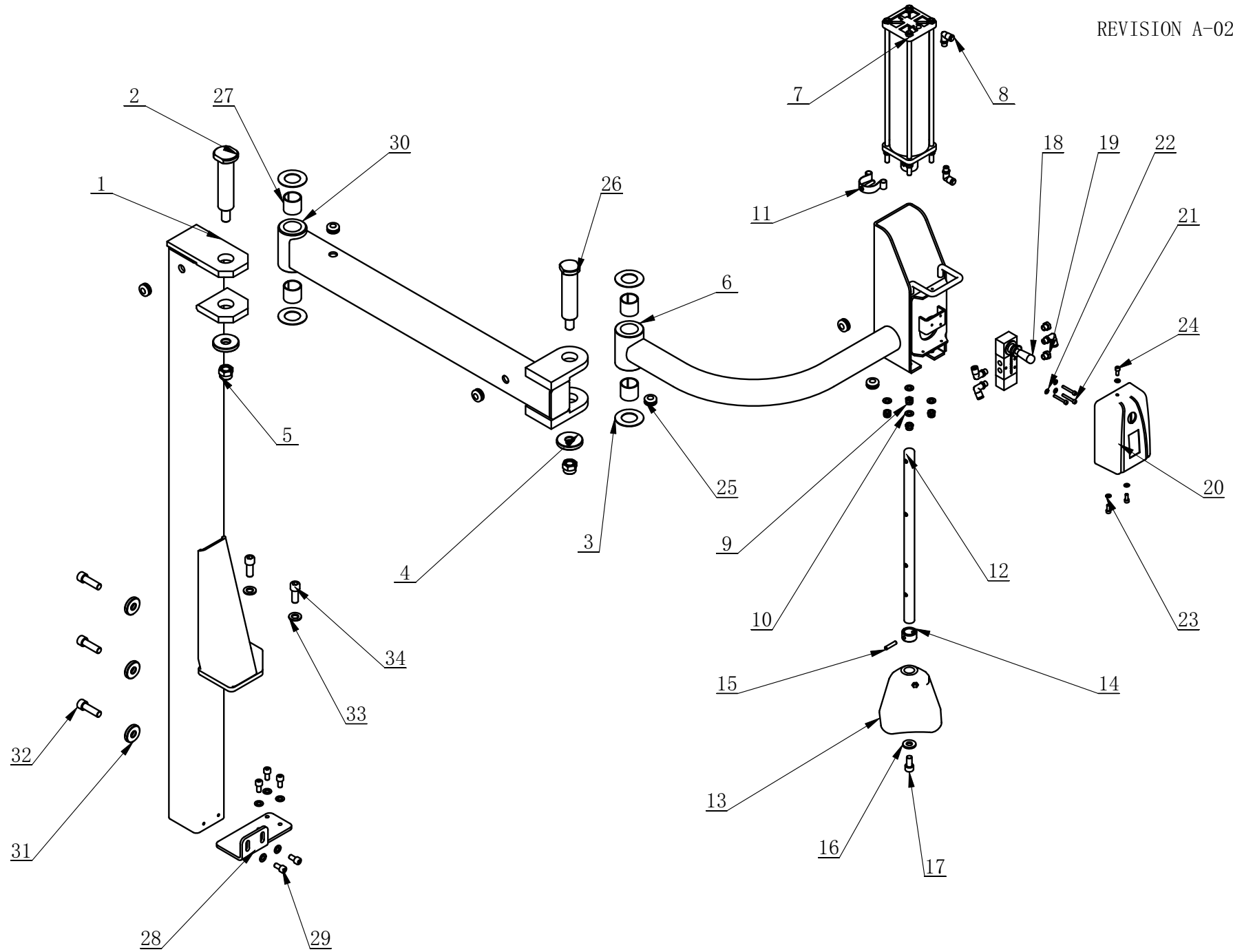


ITEM	PART. No	DESCRIPTION.	QT. Y
1	CT-D-6100001	PEDAL SUPPORT	1
2	CT-D-6100002	BOTTOM SHAFT	1
3	CT-D-5100003	PEDAL	2
4	CT-D-2100001	SPACER	2
5	C-A2-1900001	PEDAL	1
6	CT-D-5100002	SWITCH PEDAL	1
7	CT-D-1110001	VALVE BODY	3
8	CT-D-1110003	O-RING	18
9	CT-D-1110004	SPACER	15
10	CT-D-1110005	VALVE CAP	3
11	GB845-ST2.9×13 H C	CROSS PANHEAD TAPPING SCREW	9
12	GB95-6	FLAT WASHER	17
13	GB93-6	STANDARD SPRING WASHER	17
14	GB70.1-M6×25	INNER HEXA CYLINDRICAL SCREW	13
15	CT-D-2600003	VALVE ROD	2
16	CT-D-2600001	VALVE ROD	1
17	CT-D-2100004	SPRING PLATE	2
18	CT-D-1100009	CAM	2
19	CT-D-1100011	CAM BAFFLE PLATE	2
20	GB845-ST2.9×9.5 H C	CROSS PANHEAD TAPPING SCREW	4
21	GB95-10	FLAT WASHER	4
22	GB882-4×22	PIN SHAFT	3
23	GB91-1.6×10	SLOTTED PIN	3
24	GB5782-M8×60	HEXANGULAR BOLT	2
25	GB889.1-M8	LOCK NUT	8
26	CT-D-1100008	CAM CONNECTING ROD	2
27	GB70.1-M8×40	INNER HEXA CYLINDRICAL SCREW	3
28	GB41-M8	HEXANGULAR NUT	5
29	CT-D-5100007	SPRING	3
30	CT-D-2100010	TORSION SPRING BRACKET	1
31	GB70.1-M6×20	INNER HEXA CYLINDRICAL SCREW	4
32	GB41-M6	HEXANGULAR NUT	5
33	CT-D-8100001	SWITCH SUPPORT	1
34	CT-D-7100001	TORSION SPRING	1
35	CT-D-7100007	SWITCH	1
36	CT-D-7100006	SWITCH COVER	1
37	CT-D-7100008	REVERSE LEVER	1
38	CT-D-7100005	SAPCER PLATE	1
39	CT-D-7100004	BRACKET PLATE	1
40	GB5781-M8×35	HEXANGULAR BOLT	1

ITEM	PART. No	DESCRIPTION.	QT. Y
41	GB5781-M8×70	HEXANGULAR BOLT	2
42	CT-D-7100002	SWITCH CONNECTING PLATE	1
43	GB819. 1-M8×25-H	CROSS COUNTERSUNK SCREW STEEL 4.8 GRADE	1
44	GB70. 1-M6×30	INNER HEXA CYLINDRICAL SCREW	1
45	GB70. 1-M5×20	INNER HEXA CYLINDRICAL SCREW	2
46	GB93-5	STANDARD SPRING WASHER	2
47	GB889. 1-M6	LOCK NUT	1
48	GB95-4	FLAT WASHER	1
49	GB93-4	STANDARD SPRING WASHER	1
50	GB818-M4×16-H	CROSS PANHEAD SCREW	1
51	GB894. 1-14	SHAFT ELATIC BIG RETAINING RING A-TYPE	2
52	GB879. 1-4×20	ELASTIC CYLINDRICAL PIN, HEAVY	1
53	CT-D-5100005	LINK BRACKET	3
54	FPC 8-01	MALE STRAIGHT	6
55	FPD 8-01	MALE RUN TEE	1
56	FPL 8-01	INSERT ELBOW Φ8, R1/8	1
57	FJSR 01	BRASS REGULATOR SILENCER	4
58	JB / ZQ4447-1997-G1 / 8×10	SCREWS PLUG R1/8"x10	3
59	C-A2-1900002	LINK PLATE	1
60	GB5781-M8×20	HEXANGULAR BOLT	1

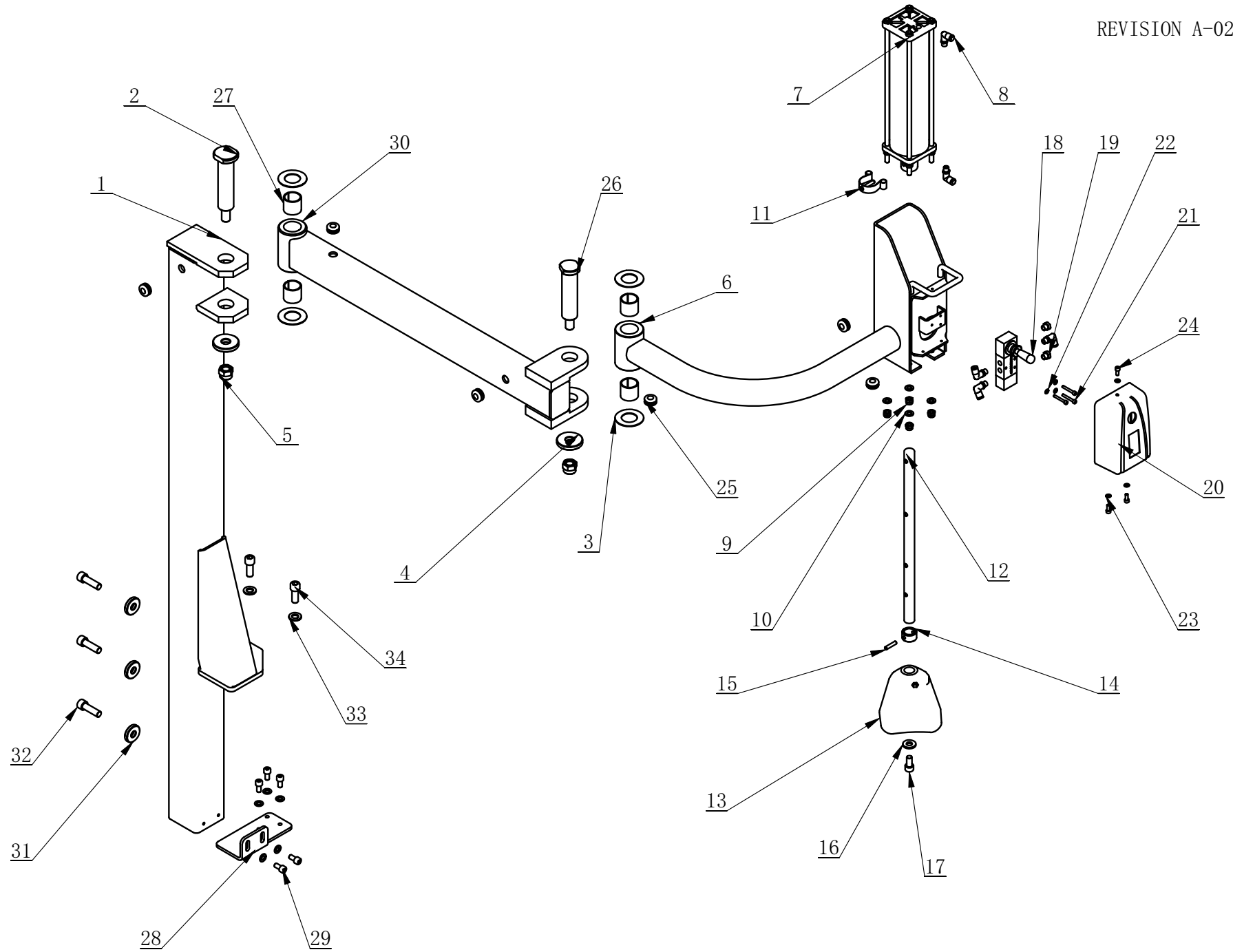
REVISION A-02

C-A2-1800000FJ

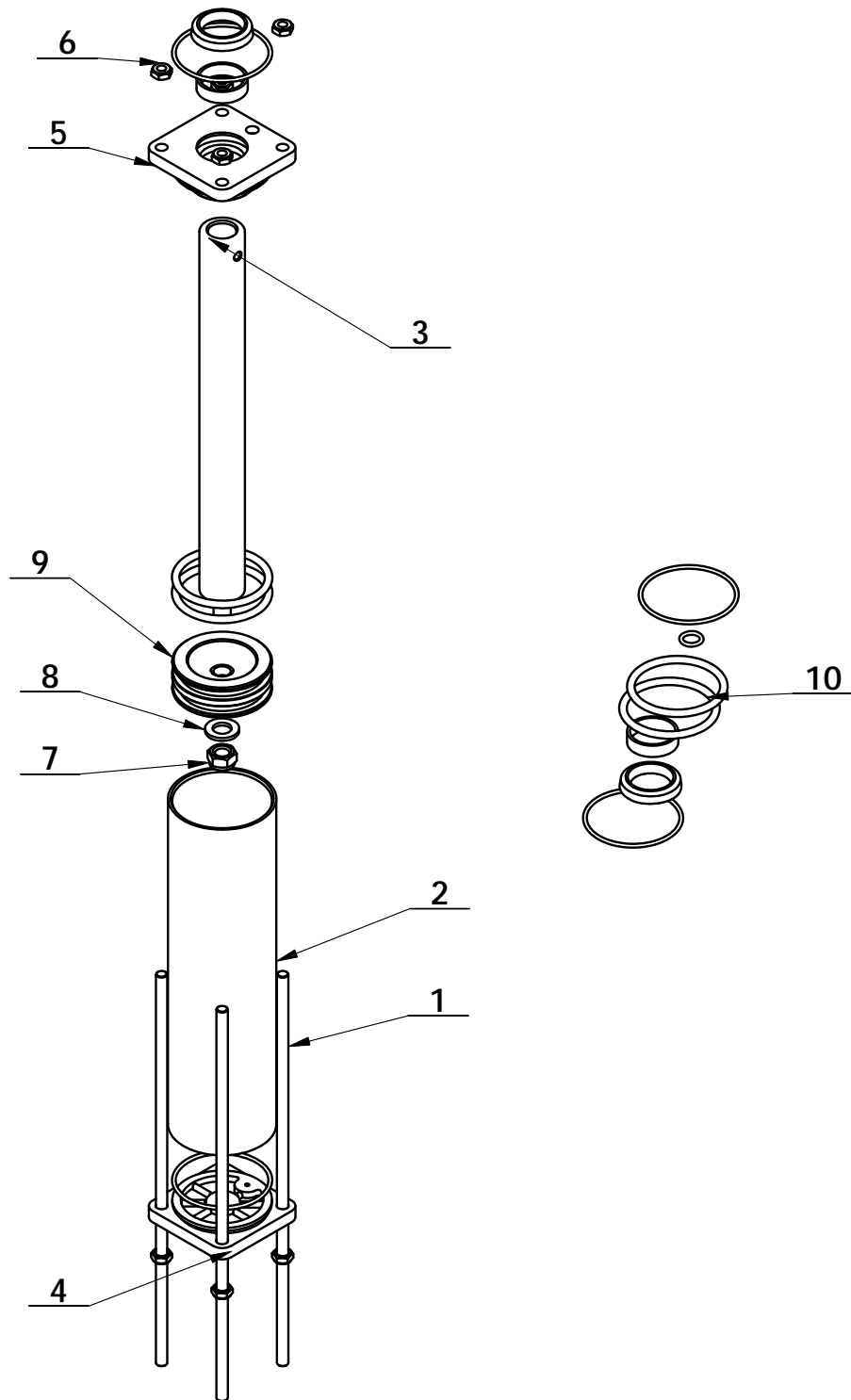


REVISION A-02

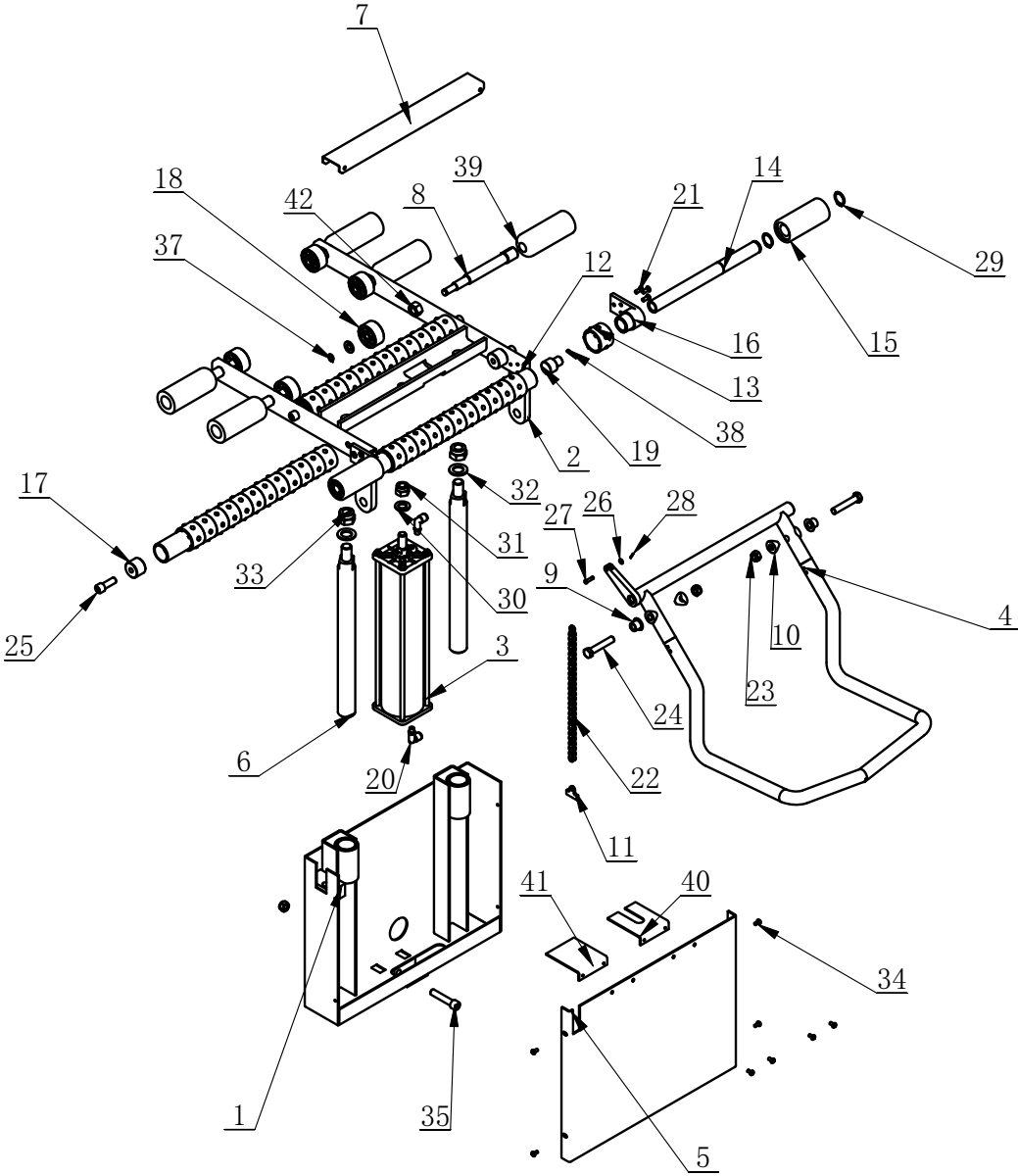
C-A2-1800000FJ



ITEM	PART. No	DESCRIPTION.	QT. Y
1	C-A2-1810000		1
2	C-A2-1800001	POSITIONING SHTAFT	1
3	C-A2-1800002	ADJUSTING WASHER	4
4	C-54-1000009	SHAFT WASHER	2
5	GB889. 1-M16	1-TYPE PREVAILING TORQUE TYPE HEXAGON LOCK NUT	2
6	C-A2-1830000	ROTATION ARM	1
7	C-A1-3400000	SMLLACYLINDER ASSEMBLY	1
8	FPL 6-01	MALE ELBOW	5
9	GB889. 1-M8	1-TYPE PREVAILING TORQUE TYPE HEXAGON LOCK NUT	4
10	GB95-8	FLAT WASHER	9
11	C-A1-3500000	ADJUST PIN	1
12	C-A1-3000006	PRESSURE MOLE SHAFT	1
13	H-80-1001001	PRESS FOOT	1
14	C-A1-3000005	COVER	1
15	GB879. 1-6×28	ELASTIC CYLINDRICAL PIN, HEAVY	1
16	H-10-1000007	WASHER	1
17	GB70. 1-M10×20	INNER HEXA CYLINDRICAL SCREW	1
18	4H230-06A	CONTROL VALVE	1
19	FSSL 1 / 8	PARTICLE SILENCER	2
20	H-10-1000020	MANUAL VALVE COVER	1
21	GB70. 1-M4×30	INNER HEXA CYLINDRICAL SCREW	3
22	GB95-4	FLAT WASHER	3
23	GB95-5	FLAT WASHER	3
24	GB70. 1-M5×12	INNER HEXA CYLINDRICAL SCREW	3
25	C-71-1000019	STOP-UP	6
26	C-A2-1830003	ROTATION SHAFT	1
27	C-A2-1820001	SLIDE BEARING	4
28	C-A2-1800004		1
29	GB70. 1-M8×16	INNER HEXA CYLINDRICAL SCREW	5
30	C-A2-1821000	WOBBLY ARM	1
31	TB-P-0200003	PRESSING WASHER	3
32	GB70. 1-M12×40	INNER HEXA CYLINDRICAL SCREW	3
33	GB95-12	FLAT WASHER	2
34	GB70. 1-M12×30	INNER HEXA CYLINDRICAL SCREW	2



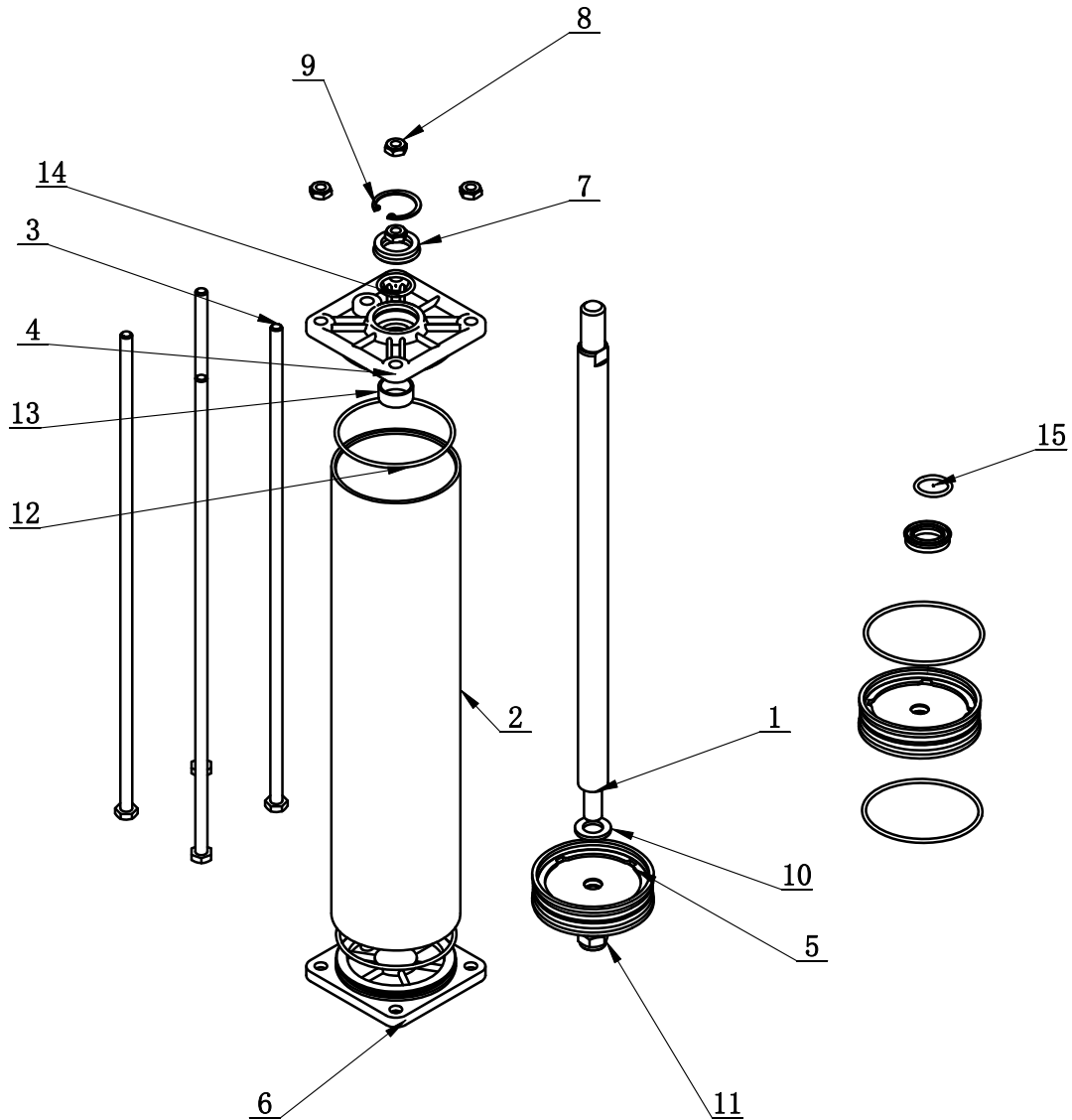
ITEM	PART. No	DESCRIPTION.	部件中/数量
1	C-A1-3400001	SCREW	4
2	C-A1-3400002	CYLINDER HOUSING	1
3	C-A1-3400003	PISTON ROD	1
4	C-A1-3400004	CAP-BASE, CYLNDR	1
5	C-A1-3400005	THE COVER OF A CYLINDER	1
6	GB889. 1-M8	LOCK NUT	8
7	GB889. 1-M12	LOCK NUT	1
8	GB95-12	FLAT WASHER	1
9	C-A1-3400008	PISTON	1
10	C-A1-13400000M	SEAL COMPONENTS	1



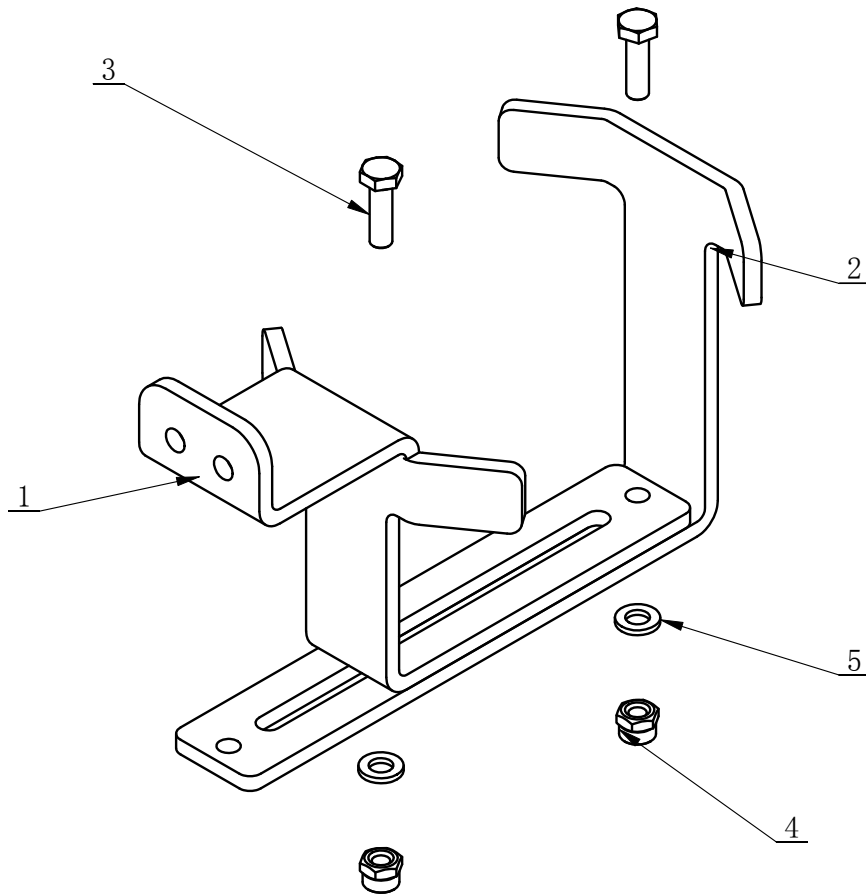
ITEM	PART. No	DESCRIPTION.	QT. Y
1	C-A2-1710000	FIX RACK	1
2	C-A2-1720000	LIFTING BRACKET	1
3	C-A2-1530000	CYLINDER ASSEMBLY	1
4	C-A2-1540000	TURNUP FRAME	1
5	C-A2-1700001	LIFT RACK HOUSING	1
6	C-A2-1500001	SLIDE ROD	2
7	C-A2-1700008	RETAINING PLATE	1
8	C-A2-1700002	LONG ROTATION SHAFT	5
9	C-A2-1700009	BUSHING	2
10	C-A1-1500006	CUSHION	2
11	C-A1-1500007	RETAINING BLOCK	1
12	C-A1-1500009	ROLLER	3
13	C-A1-1500010	PIPE	36
14	C-A1-1500011	ADJUST SHAFT	2
15	C-A1-1500012	ASSIST WHEEL	2
16	C-A1-1500013	SUPPORT BASE	2
17	C-A1-1500014	FIXED SHAFT	4
18	C-A1-1500015	ROLLING WHEEL	5
19	C-A1-1500016	SLIDE SHAFT	2
20	FPL 8-01	INSERT ELBOW $\Phi 8$, R1/8	2
21	GB819. 2-M6 \times 16	CROSS COUNTERSUNK SCREW STEEL 8. 8 GRADE	6
22	GB6074-LH0822X16	LIFTING CHAIN	1
23	GB889. 1-M12	LOCK NUT	3
24	GB5780-M12 \times 65	HEXANGULAR BOLT	2
25	GB70. 1-M12 \times 35	INNER HEXA CYLINDRICAL SCREW	4
26	GB95-5	FLAT WASHER	1
27	GB882-5 \times 20	PIN SHAFT	1
28	GB91-1. 6 \times 10	SLOTTED PIN	1
29	GB894. 1-25	SHAFT ELATIC BIG RETAINING RING A-TYPE	4
30	GB95-16	FLAT WASHER	1
31	GB889. 1-M16	1-TYPE PREVAILING TORQUE TYPE HEXAGON LOCK NUT	1
32	GB95-20	FLAT WASHER	2
33	GB889. 1-M20	1-TYPE PREVAILING TORQUE TYPE HEXAGON LOCK NUT	2
34	GB818-M5 \times 10-H	CROSS PANHEAD SCREW	8
35	GB70. 1-M12 \times 60	INNER HEXA CYLINDRICAL SCREW	1
36	GB95-12	FLAT WASHER	5
37	GB894. 1-12	SHAFT ELATIC BIG RETAINING RING A-TYPE	5
38	GB879. 1-5 \times 26	ELASTIC CYLINDRICAL PIN, HEAVY	2
39	C-A2-1700003	ROLLER	5
40	C-A2-1700007	COVER	1
41	C-A2-1700006	COVER	1
42	GB6170-M16	HEXANGULAR NUT 1-TYPE	5

C-A2-1530000

REVISION A-01



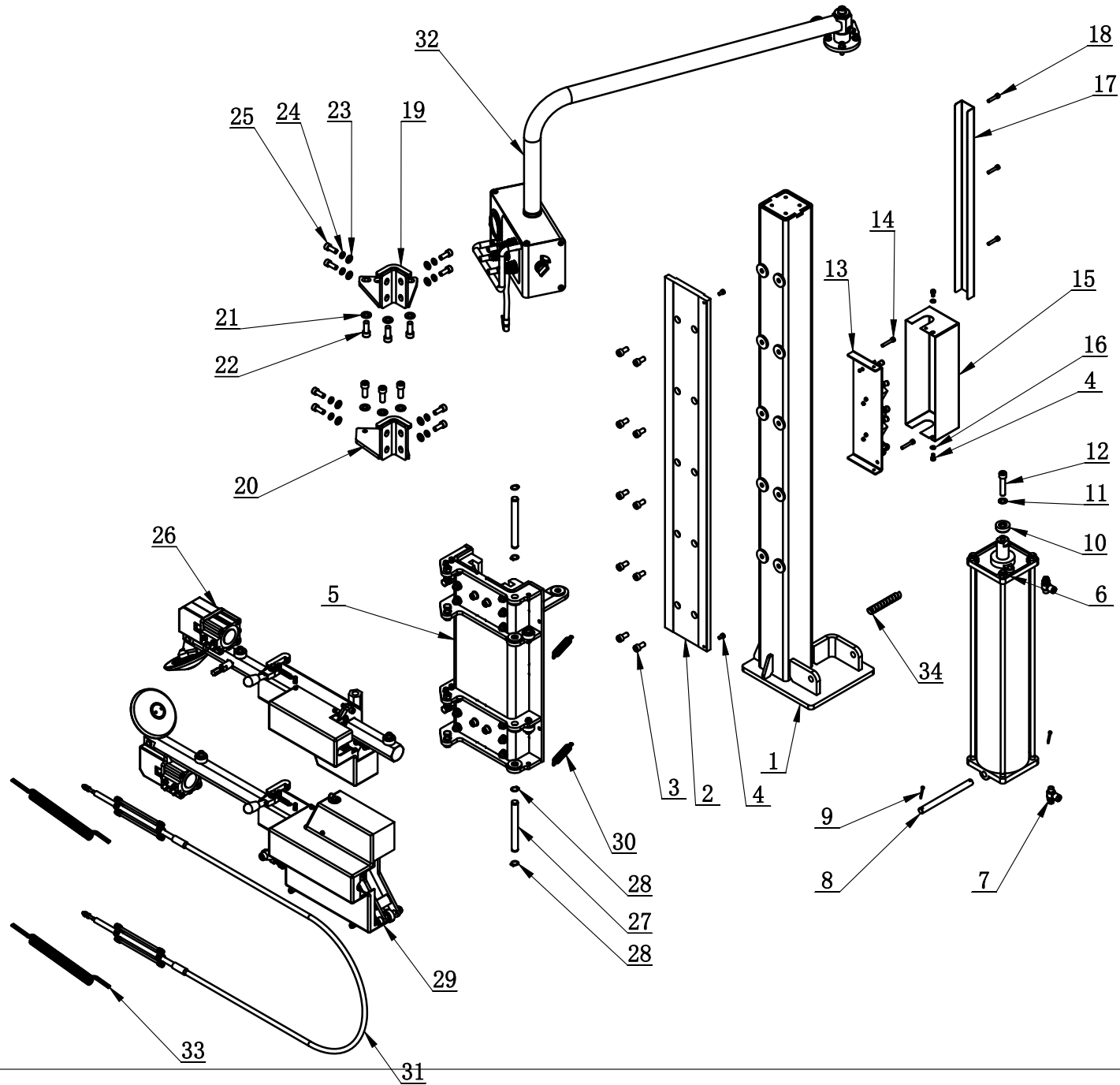
ITEM	PART. No	DESCRIPTION.	QT. Y
1	C-A2-1530001	SHAFT-CYLNDR	1
2	CT-Y-4120001	SLEEVE-CYLNDR 80MM	1
3	CT-Y-4120003	BOLT-TIE, CYLNDR	1
4	CT-Y-4120004	CYLINDER FRONT COVER	1
5	CT-Y-4120006	PISTON	1
6	CT-Y-4120005	CAP-BASE, CYLNDR	1
7	CT-Y-0160007	SEAL-ROD, CYLNDR	1
8	GB889. 1-M8	LOCK NUT	1
9	GB893. 1-30	ELASTIC RETAINING RING A-TYPE	1
10	GB95-12	FLAT WASHER	1
11	GB889. 1-M12	LOCK NUT	1
12	GB3452. 1-75×2. 65	HYDRAULIC-PNEUMATIC RUBBER O-RING G TYPE	2
13	JH1 2010	BEARING-SLIDE	1
14	GB3452. 1-20×2. 65-G	HYDRAULIC-PNEUMATIC RUBBER O-RING G TYPE	1
15	CT-Y-4121000	CYLINDER SEALING PARTS ASSEMBLY	1



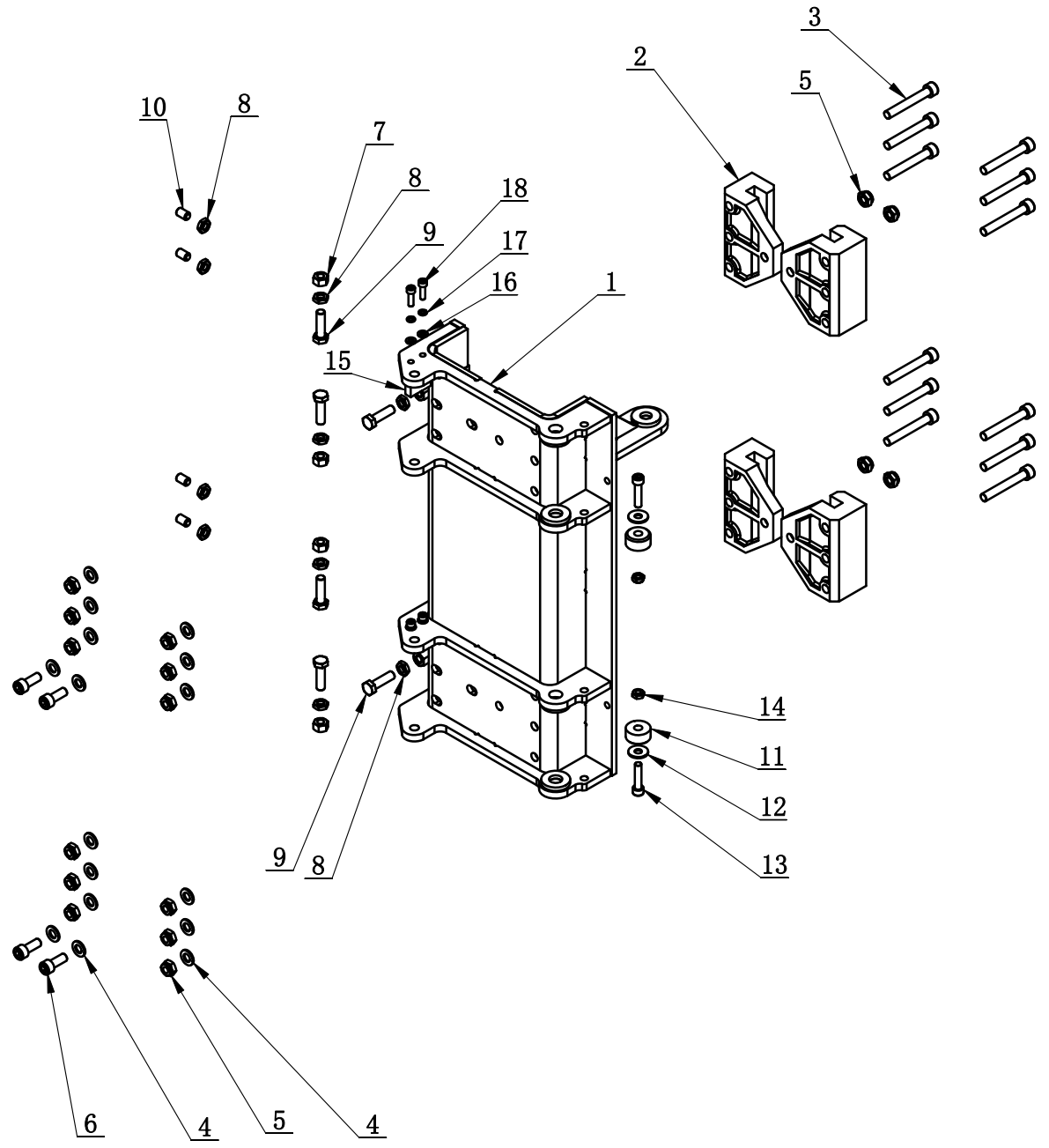
ITEM	PART. No	DESCRIPTION.	QT. Y
1	C-54-8002001	FRAME	1
2	C-54-8002002	FRAME	1
3	GB5781-M6×20	HEXANGULAR BOLT	2
4	GB889. 1-M6	LOCK NUT	2
5	GB95-6	FLAT WASHER	2

REVISION A-01

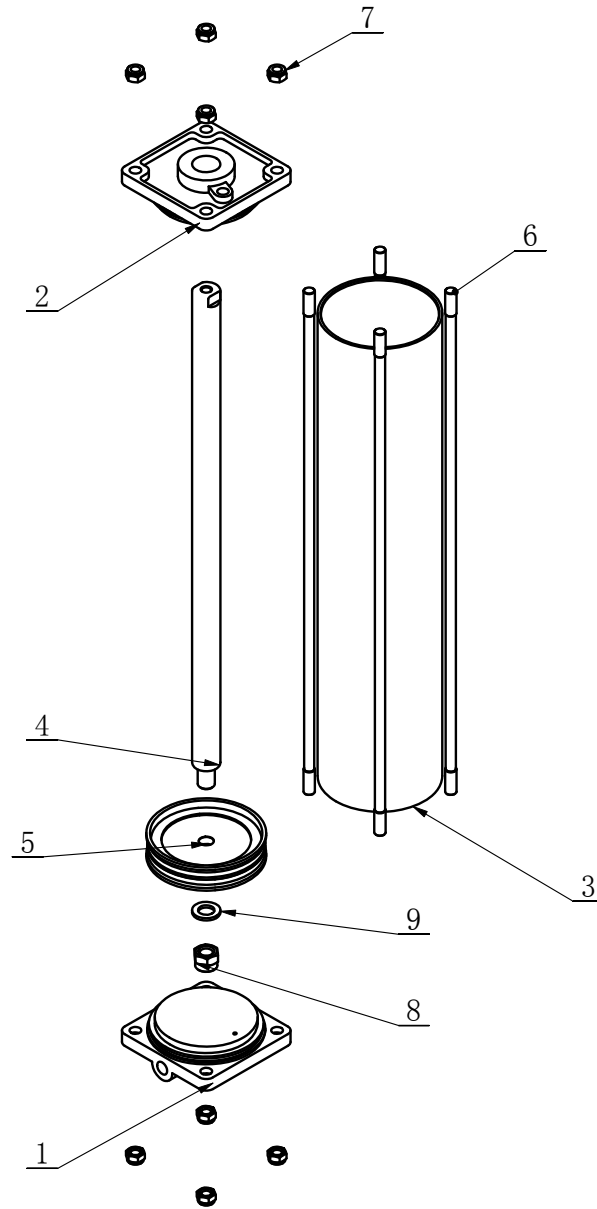
C-A2-1600000



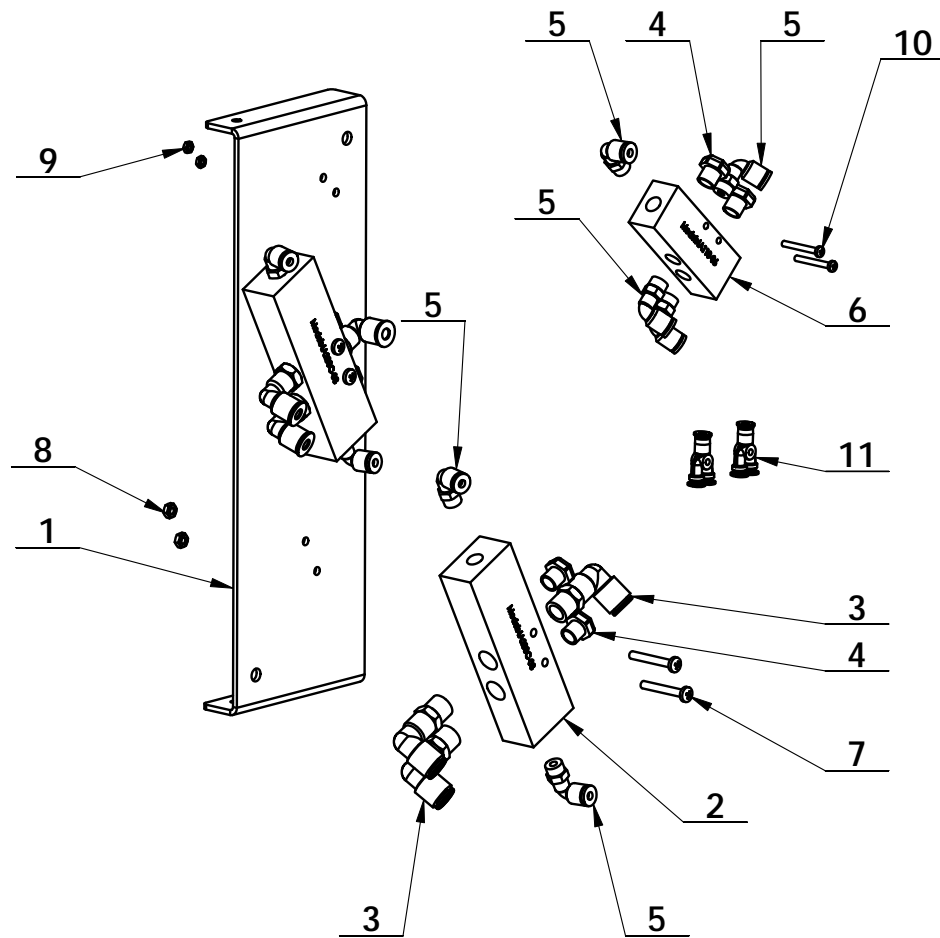
ITEM	PART. No	DESCRIPTION.	QT. Y
1	C-A2-1610000	PILLAR	1
2	C-A2-1600001	GUIDE	1
3	GB70. 1-M10×20	INNER HEXA CYLINDRICAL SCREW	10
4	GB70. 1-M6×10	INNER HEXA CYLINDRICAL SCREW	4
5	C-A2-1670000	SLITHER PLATE	1
6	C-A2-1640000	CYLINDER	1
7	FJSC 8-02	ADJUST JOIN	2
8	C-A2-1600009	SHAFT	1
9	GB91-4×28	SLOTTED PIN	2
10	GBT9162 GX12T	BEARING	1
11	GB862. 1-12	OUTER TOOTH LOCK WAHSER	1
12	GB70. 1-M12×55	INNER HEXA CYLINDRICAL SCREW	1
13	C-A2-1660000	VALVE	1
14	GB70. 1-M6×35	INNER HEXA CYLINDRICAL SCREW	2
15	C-A2-1600012	COVER	1
16	GB95-6	FLAT WASHER	2
17	C-A2-1600017	COVER	1
18	GB70. 1-M6×30	INNER HEXA CYLINDRICAL SCREW	3
19	C-A2-1600400	LINK PLATE	1
20	C-A2-1600500	LINK PLATE	1
21	GB95-12	FLAT WASHER	6
22	GB70. 1-M12×30	INNER HEXA CYLINDRICAL SCREW	6
23	GB95-10	FLAT WASHER	8
24	GB93-10	STANDARD SPRING WASHER	8
25	GB70. 1-M10×25	INNER HEXA CYLINDRICAL SCREW	8
26	C-A2-1630200	RING ASM	1
27	C-A2-1600003	SHAFT	2
28	GB894. 1-16	SHAFT ELATIC BIG RETAINING RING A-TYPE	4
29	C-A2-1650200	RING SAM	1
30	C-A2-1600025	SPRING	2
31	C-A2-16C0100	CONTROL LINE	1
32	C-A2-1680000	CONTROL CENTRE	1
33	C-A2-1600030	PIPE	2
34	B-56-1210016	PROTECTIVE PIPE	1



ITEM	PART. No	DESCRIPTION.	QT. Y
1	C-A2-1620000	SLITHER PLATE	1
2	C-A2-1600016	GUIDERAIL SUPPORT	4
3	GB70. 1-M10×70	INNER HEXA CYLINDRICAL SCREW	12
4	GB95-10	FLAT WASHER	16
5	GB889. 1-M10	LOCK NUT	16
6	GB70. 1-M10×25	INNER HEXA CYLINDRICAL SCREW	4
7	GB41- M10	HEXANGULAR NUT	4
8	GB6172. 1-M10	HEXANGULAR THIN NUT	10
9	GB5783-M10×35	HEXANGULAR BOLT	6
10	GB77-M10×16	INNER HEXA FLAT TERMINUS SET SCREW	4
11	C-71-1000013	WASHER $\Phi 30 \times \Phi 10 \times 15$	2
12	GB96. 2-8	LARGE WASHER C GRADE	2
13	GB70. 1-M8×35	INNER HEXA CYLINDRICAL SCREW	2
14	GB889. 1-M8	LOCK NUT	2
15	C-A2-1600033	LOCK PIECE	2
16	GB95-6	FLAT WASHER	4
17	GB93-6	STANDARD SPRING WASHER	4
18	GB70. 1-M6×20	INNER HEXA CYLINDRICAL SCREW	4



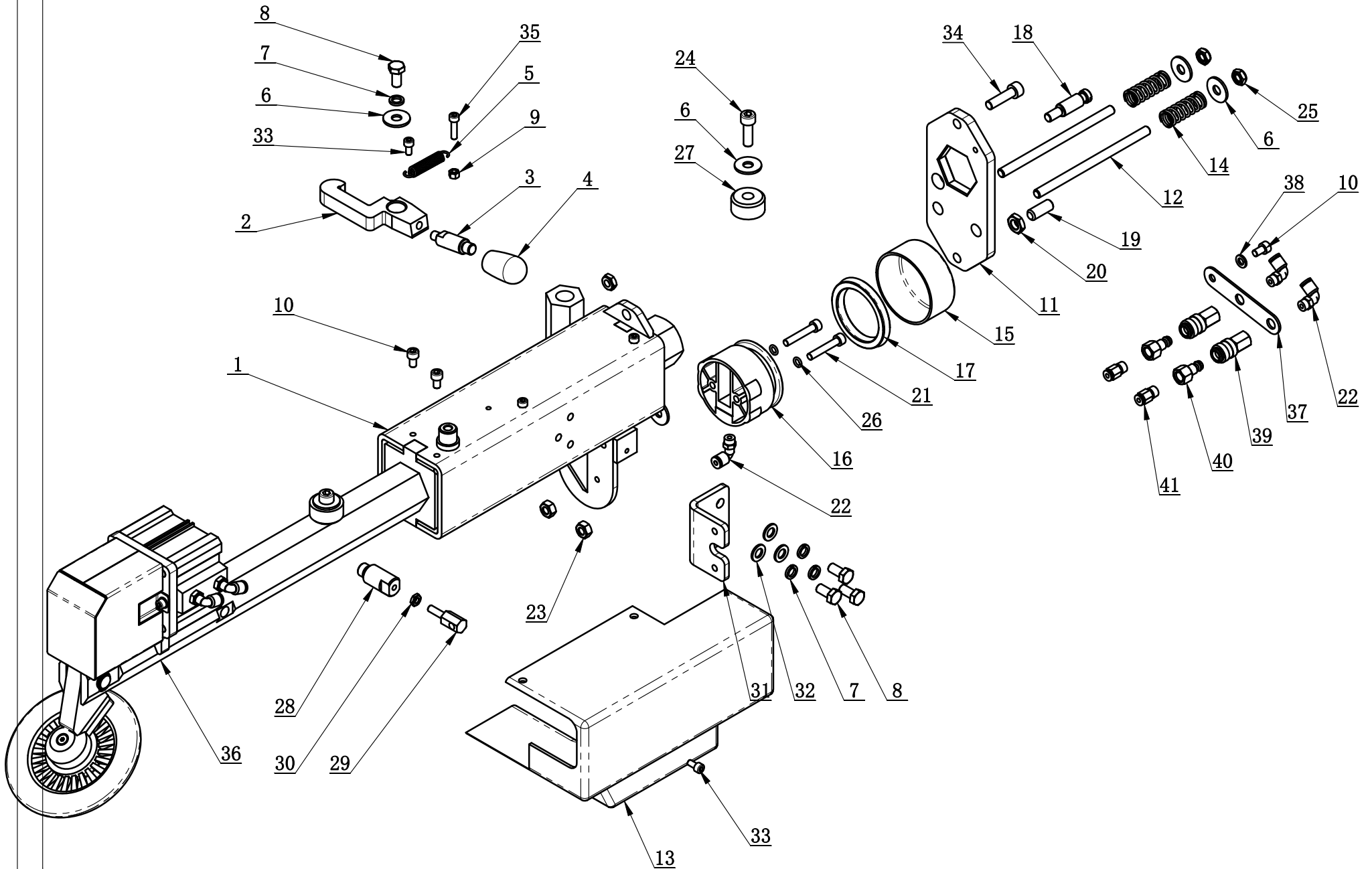
ITEM	PART. No	DESCRIPTION.	QT. Y
1	C-A2-1640001	CAP-BASE, CYLNR	1
2	C-A2-1640002	CYLINDER FRONT COVER	1
3	C-A2-1640003	CYLINDER BODY	1
4	C-A2-1640004	PISTON ROD	1
5	C-A2-1641000	PISTON	1
6	C-A2-1640005	DOUBLE SCREW BOLT	4
7	GB889. 1-M12	LOCK NUT	8
8	GB889. 1-M16	LOCK NUT	1
9	GB95-16	FLAT WASHER	1



ITEM	PART. No	DESCRIPTION.	QT. Y
1	C-A2-1600011	VALVE BASE	1
2	4A230C-08	CONTROL VALVE	2
3	FPL 8-02	INSERT ELBOW $\Phi 8$, R1/4	3
4	FSSL-01	MUFFLER	6
5	FPL 4-01	INSERT ELBOW $\Phi 4$, R1/8	8
6	4A110-06	CONTROL VALVE	1
7	GB818-M4 \times 30-H	CROSS PANHEAD SCREW	4
8	GB6170-M4	HEXANGULAR NUT 1-TYPE	4
9	GB6170-M3	HEXANGULAR NUT 1-TYPE	2
10	GB818-M3 \times 25-H	CROSS PANHEAD SCREW	2
11	FPY-4	Y-SHAPE INSERT FITTING $\Phi 4$	2
12	FPL 6-02	MALE ELBOW	3

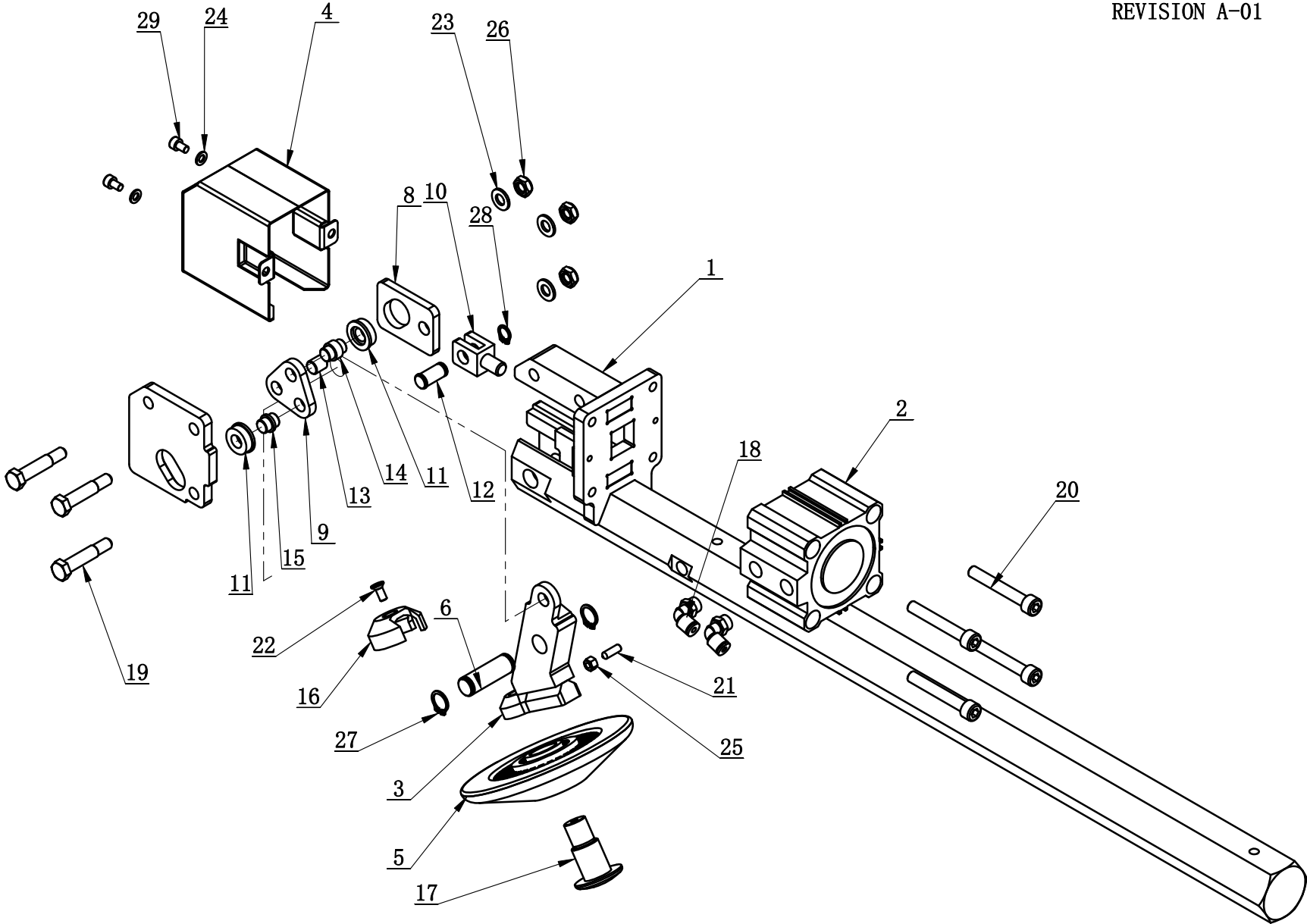
REVISION A-01

C-A2-1630200

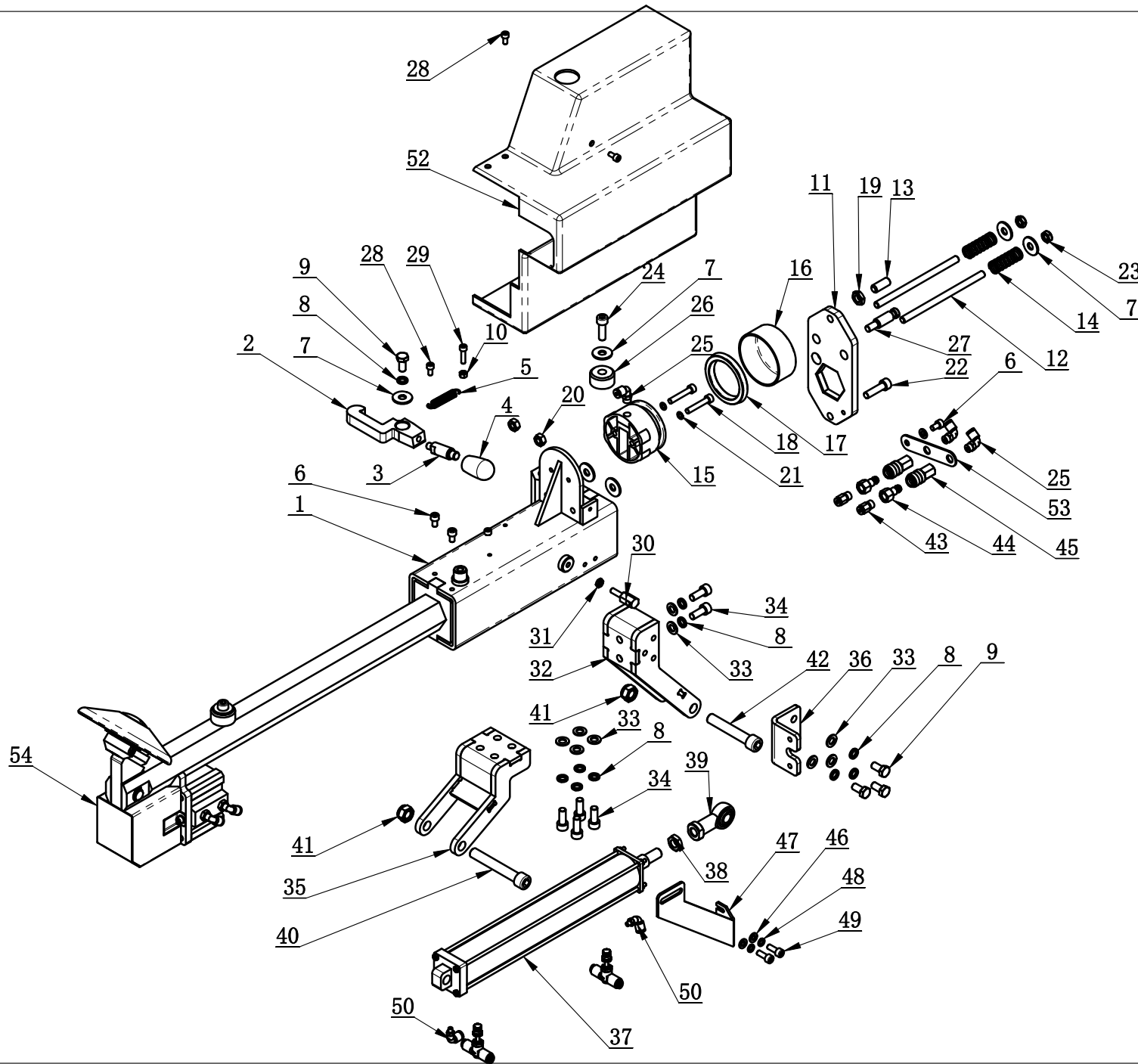


C-A2-1630200

ITEM	PART. No	DESCRIPTION.	QT. Y
1	C-A2-1630000	SLITHER ARM	1
2	C-A2-1600002	LOCK HOOK	1
3	C-A2-1600018	HAND SHANK SHAFT	1
4	BM10X40 JBT7271.4	HAND SHANK SPRING	1
5	C-A2-1600027		1
6	GB96. 2-8	LARGE WASHER C GRADE	7
7	GB93-8	STANDARD SPRING WASHER	4
8	GB5783-M8×16	HEXANGULAR BOLT	4
9	GB41-M5	HEXANGULAR NUT	1
10	GB70. 1-M6×10	INNER HEXA CYLINDRICAL SCREW	3
11	C-A2-1600007	LOCK PLATE	1
12	C-A2-1600010	SCREW BOLT	2
13	C-A2-1600013	COVER	1
14	C-71-1000018	PRESS SPRING	2
15	C-71-1320001	LOCK TURNTABLE CYLINDER HEAD	1
16	C-71-1320002	LOCK CYLINDER BODY	1
17	C-71-1320003	Y-RING	1
18	C-A2-1600022	SHAFT	1
19	C-71-1000029	INNER HEXA FLAT TERMINUS SET SCREW	1
20	GB6173-M10×1.0	HEXA THIN NUT	1
21	GB70. 1-M6×35	INNER HEXA CYLINDRICAL SCREW	2
22	FPL 4-01	INSERT ELBOW Φ4, R1/8	3
23	GB6170-M8	HEXANGULAR NUT 1-TYPE	2
24	GB70. 1-M8×25	INNER HEXA CYLINDRICAL SCREW	2
25	GB889. 1-M8	LOCK NUT	3
26	GB3452. 1-6×1.8	O-RING	2
27	C-71-1000013	WASHER Φ30xΦ10x15	2
28	C-A2-1600004	SHAFT	1
29	C-A2-1600005	SCREW SHAFT	1
30	GB6172. 1-M6	HEXANGULAR THIN NUT	1
31	C-A2-1600006	LINK PLATE	1
32	GB95-8	FLAT WASHER	3
33	GB70. 1-M5×10	INNER HEXA CYLINDRICAL SCREW	4
34	GB70. 1-M8×30	INNER HEXA CYLINDRICAL SCREW	1
35	GB70. 1-M5×20	INNER HEXA CYLINDRICAL SCREW	1
36	C-A2-16A1000A	UP RING ASM	1
37	C-A2-1600032	LINK PLATE	1
38	GB95-6	FLAT WASHER	1
39	5053-01	QUICK COUPLING	2
40	5350-01	QUICK COUPLING	2
41	FPC 4-01	MALE STRAIGHT	2



ITEM	PART. No	DESCRIPTION.	QT. Y
1	C-A2-16A1100A	SHAFT	1
2	C-A2-16A1200	CYLINDER	1
3	C-A2-16A1300	SWAY POLE	1
4	C-A2-16A1400	COVER	1
5	C-A1-1361000	PLATE	1
6	C-A2-16A1001	SHAFT	1
7	C-A2-16A1002	LOCK PLATE	1
8	C-A2-16A1003	SLIDING PIECE	1
9	C-A2-16A1004	RACK	1
10	C-A2-16A1005	LINK PIN	1
11	C-A2-16A1006	RING	2
12	C-A2-16A1007	SHAFT	1
13	C-A2-16A1008	PIN	1
14	C-A2-16A1009	SHAFT	1
15	C-A2-16A1010	SHAFT	1
16	C-A2-16A101F	COVER	1
17	C-A2-16A1011	SPINDLE	1
18	FPL 4-02	INSERT ELBOW $\Phi 4$, R1/4	2
19	GB27-M8×45	HEXA HEAD BOLT	3
20	GB70. 1-M8×55	INNER HEXA CYLINDRICAL SCREW	4
21	GB78-M5×16	INNER HEXA CONIC TERMINUS SET SCREW	1
22	GB70. 3-M5×12	INNER COUNTERSUNK SCREW	1
23	GB97. 1-8	FLAT WASHER A GRADE	3
24	GB95-5	FLAT WASHER	2
25	GB41-M5	HEXANGULAR NUT	1
26	GB889. 1-M8	LOCK NUT	3
27	GB894. 1-14	SHAFT ELATIC BIG RETAINING RING A-TYPE	2
28	GB894. 1-10	SHAFT ELATIC BIG RETAINING RING A-TYPE	1
29	GB70. 1-M5×8	INNER HEXA CYLINDRICAL SCREW	2

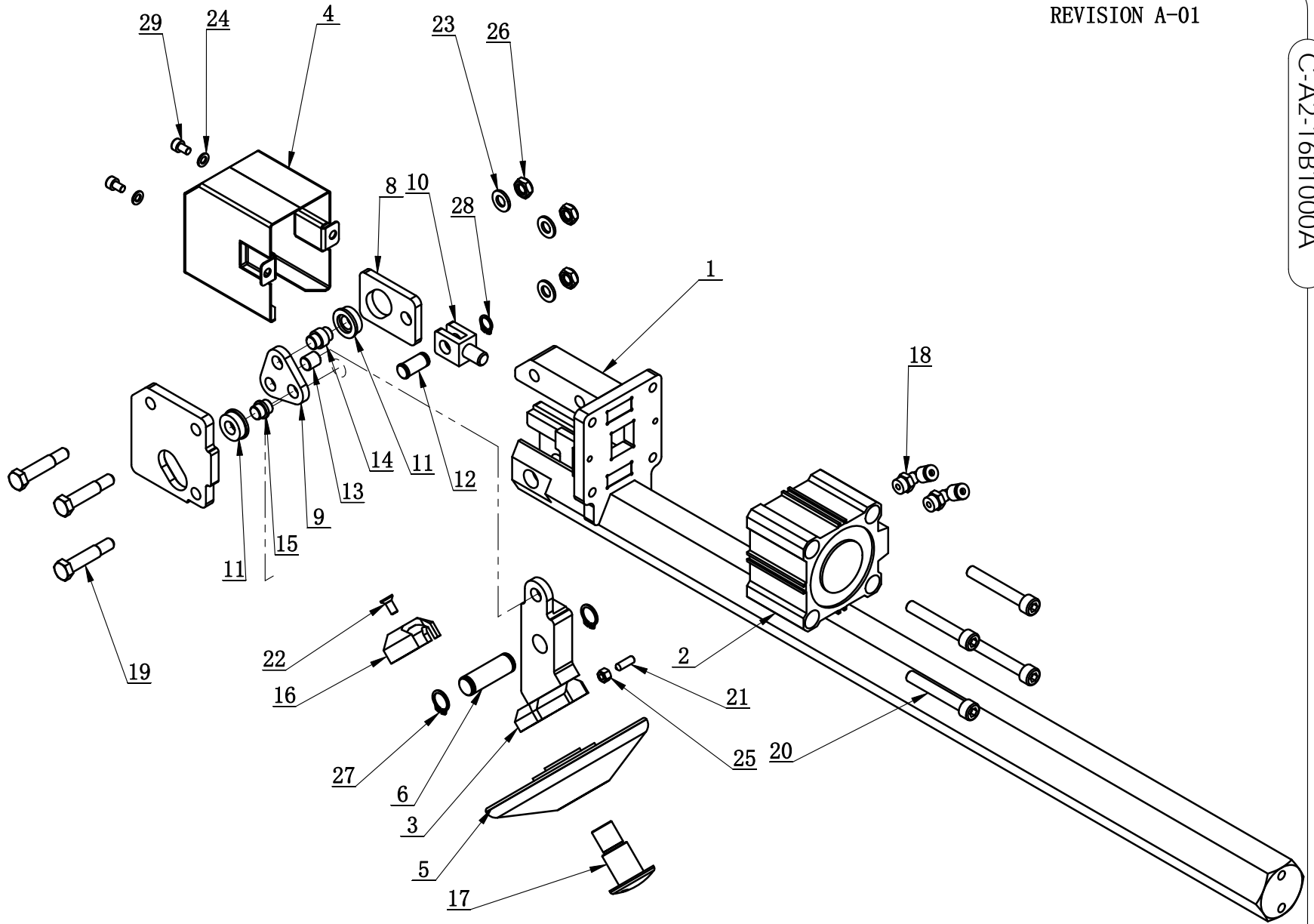


ITEM	PART. No	DESCRIPTION.	QT. Y
1	C-A2-1650000	SLITHER ARM	1
2	C-A2-1600002	LOCK HOOK	1
3	C-A2-1600018	HAND SHANK SHAFT	1
4	BM10X40 JBT7271.4	HAND SHANK	1
5	C-A2-1600027	SPRING	1
6	GB70. 1-M6×10	INNER HEXA CYLINDRICAL SCREW	3
7	GB96. 2-8	LARGE WASHER C GRADE	7
8	GB93-8	STANDARD SPRING WASHER	10
9	GB5783-M8×16	HEXANGULAR BOLT	4
10	GB41-M5	HEXANGULAR NUT	1
11	C-A2-1600007	LOCK PLATE	1
12	C-A2-1600010	SCREW BOLT	2
13	C-71-1000029	INNER HEXA FLAT TERMINUS SET SCREW	1
14	C-71-1000018	PRESS SPRING	2
15	C-71-1320002	LOCK CYLINDER BODY	1
16	C-71-1320001	LOCK TURNTABLE CYLINDER HEAD	1
17	C-71-1320003	Y-RING	1
18	GB70. 1-M6×35	INNER HEXA CYLINDRICAL SCREW	2
19	GB6173-M10×1.0	HEXA THIN NUT	1
20	GB6170-M8	HEXANGULAR NUT 1-TYPE	2
21	GB3452. 1-6×1.8	O-RING	2
22	GB70. 1-M8×30	INNER HEXA CYLINDRICAL SCREW	1
23	GB889. 1-M8	LOCK NUT	3
24	GB70. 1-M8×25	INNER HEXA CYLINDRICAL SCREW	2
25	FPL 4-01	INSERT ELBOW $\Phi 4$, R1/8	3
26	C-71-1000013	WASHER $\Phi 30 \times \Phi 10 \times 15$	2
27	C-A2-1600022	SHAFT	1
28	GB70. 1-M5×10	INNER HEXA CYLINDRICAL SCREW	4
29	GB70. 1-M5×20	INNER HEXA CYLINDRICAL SCREW	1
30	C-A2-1600005	SCREW SHAFT	1
31	GB6172. 1-M6	HEXANGULAR THIN NUT	1
32	C-A2-1600200	LINK BASE	1
33	GB95-8	FLAT WASHER	9
34	GB70. 1-M8×20	INNER HEXA CYLINDRICAL SCREW	6
35	C-A2-1600100	LINK BASE	1
36	C-A2-1600006	LINK PLATE	1
37	C-A2-16E0000	CYLINDER	1
38	GB6172. 1-M12	HEXANGULAR THIN NUT	1
39	CT-XD-1000007	BEARING JOINTS	1
40	GB70. 1-M12×80	INNER HEXA CYLINDRICAL SCREW	1

ITEM	PART. No	DESCRIPTION.	QT. Y
41	GB889. 1-M12	LOCK NUT	2
42	GB70. 1-M12×70	INNER HEXA CYLINDRICAL SCREW	1
43	FPC 4-01	MALE STRAIGHT	2
44	5350-01	QUICK COUPLING	2
45	5053-01	QUICK COUPLING	2
46	GB95-6	FLAT WASHER	3
47	C-A2-1600029	LINK PLATE	1
48	GB93-6	STANDARD SPRING WASHER	2
49	GB70. 1-M6×16	INNER HEXA CYLINDRICAL SCREW	2
50	FPL 6-M5	MALE ELBOW	2
51	FPA-6	SPEED ADJUST VALVE	2
52	C-A2-1600014	COVER	1
53	C-A2-1600028	LINK PLATE	1
54	C-A2-16B1000A	DOWN RING ASM	1

REVISION A-01

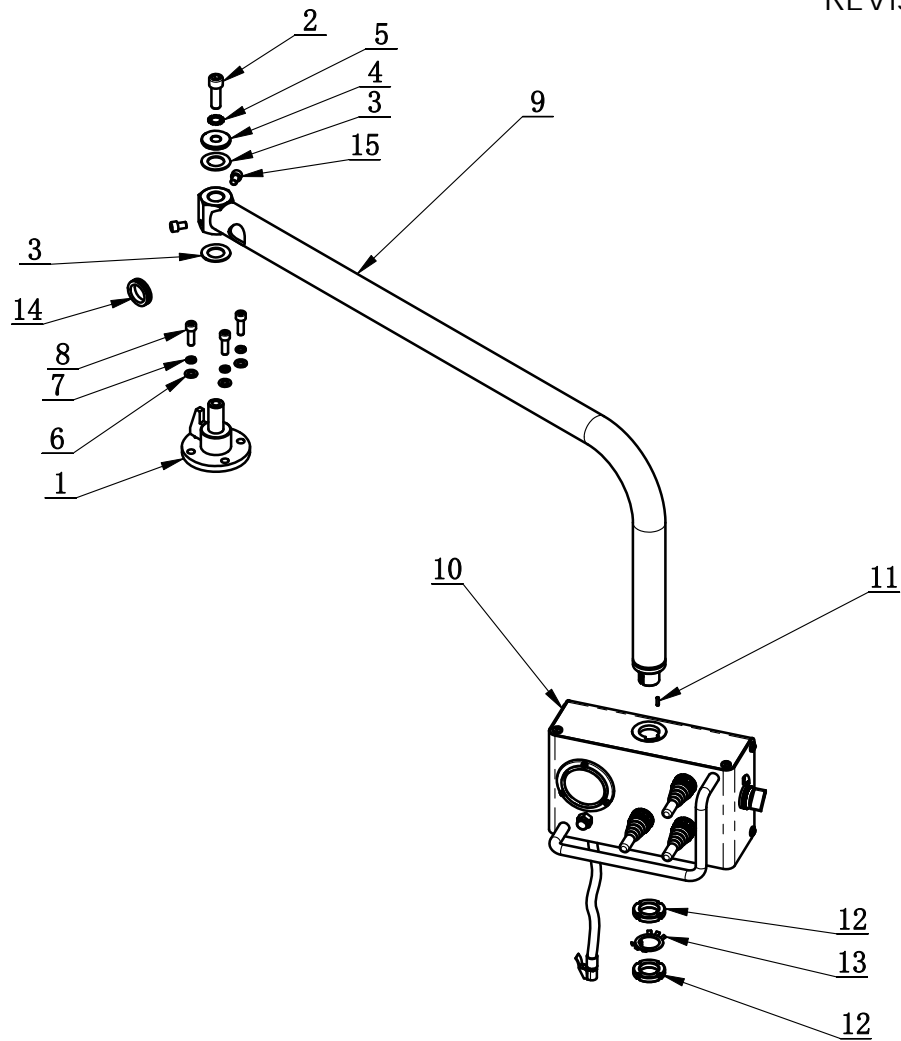
C-A2-16B1000A



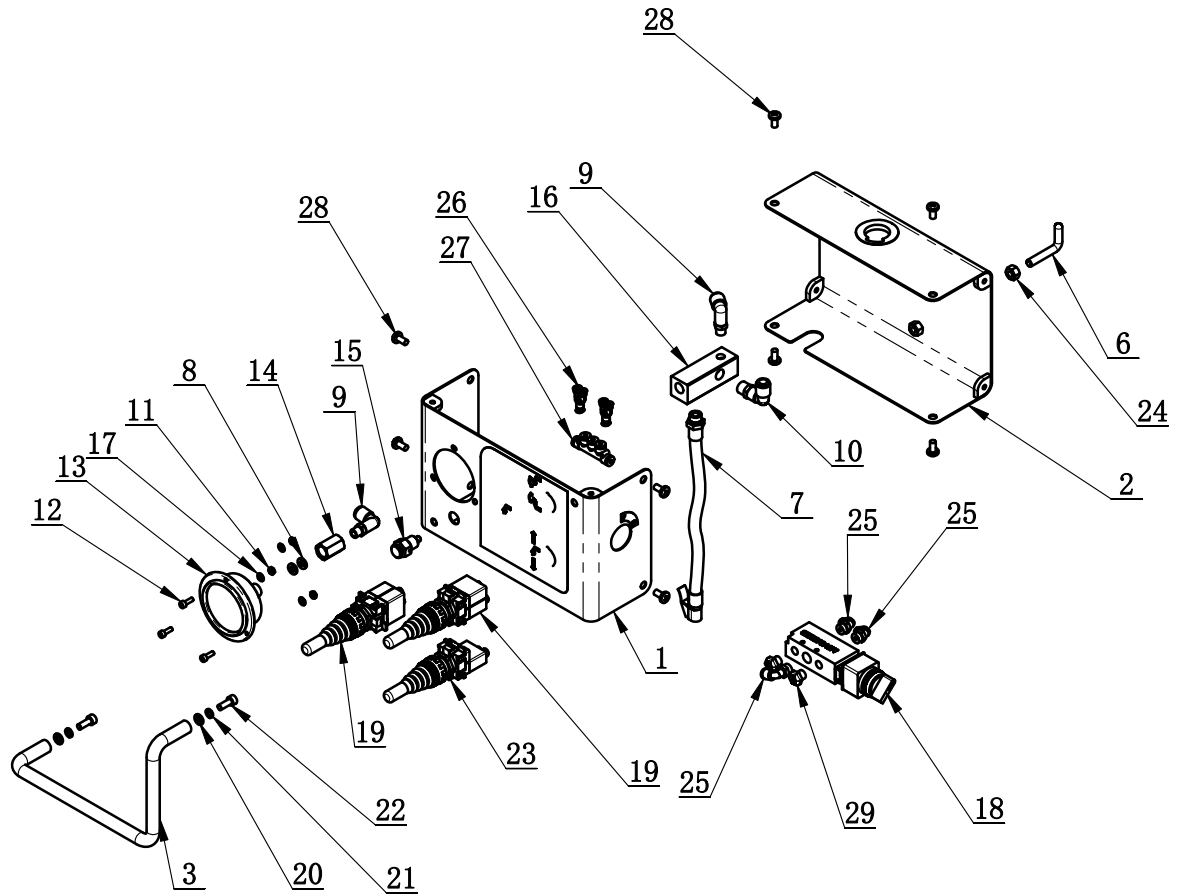
ITEM	PART. No	DESCRIPTION.	QT. Y
1	C-A2-16B1100A	SHAFT	1
2	C-A2-16A1200	CYLINDER	1
3	C-A2-16A1300	SWAY POLE	1
4	C-A2-16A1400	COVER	1
5	C-A1-1361000	PLATE	1
6	C-A2-16A1001	SHAFT	1
7	C-A2-16A1002	LOCK PLATE	1
8	C-A2-16A1003	SLIDING PIECE	1
9	C-A2-16A1004	RACK	1
10	C-A2-16A1005	LINK PIN	1
11	C-A2-16A1006	RING	2
12	C-A2-16A1007	SHAFT	1
13	C-A2-16A1008	PIN	1
14	C-A2-16A1009	SHAFT	1
15	C-A2-16A1010	SHAFT	1
16	C-A2-16A101F	COVER	1
17	C-A2-16A1011	SPINDLE	1
18	FPL 4-02	INSERT ELBOW $\Phi 4$, R1/4	2
19	GB27-M8×45	HEXA HEAD BOLT	3
20	GB70. 1-M8×55	INNER HEXA CYLINDRICAL SCREW	4
21	GB78-M5×16	INNER HEXA CONIC TERMINUS SET SCREW	1
22	GB70. 3-M5×12	INNER COUNTERSUNK SCREW	1
23	GB97. 1-8	FLAT WASHER A GRADE	3
24	GB95-5	FLAT WASHER	2
25	GB41-M5	HEXANGULAR NUT	1
26	GB889. 1-M8	LOCK NUT	3
27	GB894. 1-14	SHAFT ELATIC BIG RETAINING RING A-TYPE	2
28	GB894. 1-10	SHAFT ELATIC BIG RETAINING RING A-TYPE	1
29	GB70. 1-M5×8	INNER HEXA CYLINDRICAL SCREW	2

C-A2-1680000

REVISION A-01



ITEM	PART. No	DESCRIPTION.	QT. Y
1	C-A2-1600700	LINK SHAFT	1
2	GB70. 1-M12×35	INNER HEXA CYLINDRICAL SCREW	1
3	WC22SF-1X	SLIDE RING	2
4	C-A2-1600015	RING	1
5	GB862. 1-12	OUTER TOOTH LOCK WAHSER	1
6	GB95-8	FLAT WASHER	4
7	GB93-8	STANDARD SPRING WASHER	4
8	GB70. 1-M8×25	INNER HEXA CYLINDRICAL SCREW	4
9	C-A2-1600600	ARM	1
10	C-A2-1690000	CONTROL CENTER	1
11	GB879. 1-3×12	ELASTIC CYLINDRICAL PIN, HEAVY	1
12	GB810-M27×1.5	SMALL CIRCULAR NUT	2
13	GB858-27	STOP WASHER FOR ROUND NUT	1
14	H-12-0000002	PROTECTION RING	1
15	GB70. 1-M8×12	INNER HEXA CYLINDRICAL SCREW	2



ITEM	PART. No	DESCRIPTION.	QT. Y
1	C-A2-1691000	FACE PLATE	1
2	C-A2-1692000	BASE PLATE	1
3	C-A2-1690001	HANDLE	1
4	C-A2-1690003	LABELING	1
5	C-A2-1690005	LABELING	1
6	C-71-1000024	INFLATING GUN HOOK	1
7	CT-K-3100003	PIPE	1
8	TC-10-1620003	AIR REGULATOR WASHER	2
9	FPL 8-01	INSERT ELBOW $\Phi 8$, R1/8	2
10	FPL 8-02	INSERT ELBOW $\Phi 8$, R1/4	1
11	GB6170-M4	HEXANGULAR NUT 1-TYPE	3
12	GB70. 1-M4 \times 12	INNER HEXA CYLINDRICAL SCREW	3
13	CT-K-3100004	PRESSURE GAUGE	1
14	CT-K-3100002	CONNECT NUT	1
15	CT-K-3110000	EXHAUST VALVE ASSEMBLY	1
16	C-A2-1690006	LINK BLOCK	1
17	GB95-4	FLAT WASHER	3
18	MSV86522TB	VALVA	1
19	C-A2-1694000	VALVE	2
20	GB95-6	FLAT WASHER	2
21	GB93-6	STANDARD SPRING WASHER	2
22	GB70. 1-M6 \times 16	INNER HEXA CYLINDRICAL SCREW	2
23	C-A2-1693000	VALVE	1
24	GB41-M8	HEXANGULAR NUT	1
25	FPL 4-02	INSERT ELBOW $\Phi 4$, R1/4	3
26	FPY-4	Y-SHAPE INSERT FITTING $\Phi 4$	2
27	FPKG-4	CONNECTING- 5- $\Phi 4$	1
28	GB818-M6 \times 12-H	CROSS PANHEAD SCREW	8
29	FSSL-01	MUFFLER	2